

ANG-BB-D3-SHRT

GLOBE VALVE

Valveco®

short pattern, angle pattern, stop type, bolted bonnet, bronze body, bronze trim, pn16, flanged

Technical Features

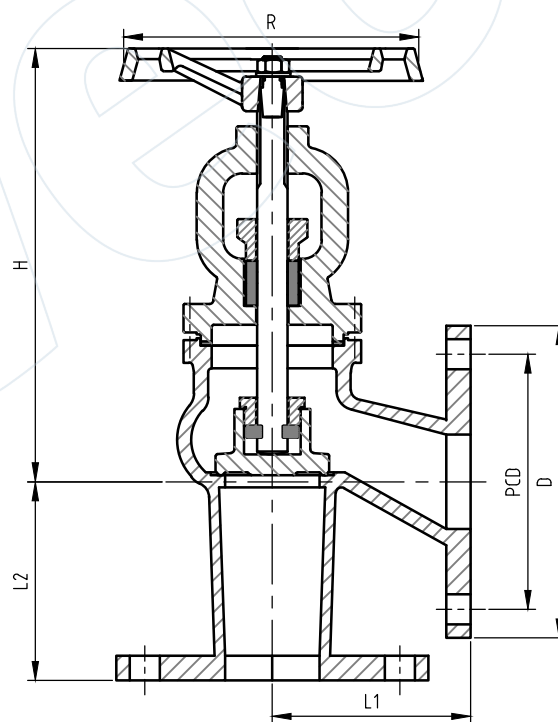
Design	Valveco Design
Class	PN16
Face-to-Face Design	Valveco Design
Inlet Design	ACC. EN 1092-3/A (DIN 2501)
Outlet Design	ACC. EN 1092-3/A (DIN 2501)
Operator	Handwheel

Options

- Available with Lloyds Register of Shipping Class Certificate
- Available in Low Zinc Bronze
- Available with Regulating Disc

Dimensions

DN (MM)	Length (MM)	PCD (MM)	Holes (#)	Holes Dia (MM)	Weight (kg)
15	65	65	4	14 (M12)	4
20	65	75	4	14 (M12)	5.5
25	70	85	4	14 (M12)	6.2
32	90	100	4	18 (M16)	8.5
40	90	110	4	18 (M16)	10
50	105	125	4	18 (M16)	13
65	115	145	4	18 (M16)	23
80	125	160	8	18 (M16)	31
100	145	180	8	18 (M16)	41
125	170	210	8	18 (M16)	65
150	200	240	8	22 (M20)	50
200	250	295	12	22 (M20)	127
250	325	355	12	26 (M24)	207
300	375	410	12	26 (M24)	220



Materials

Body / Bonnet	Bronze Rg 5
Stem	Brass Ms 58
Disc	Bronze Rg 5
Gasket	Graphite
Operator Material	Cast Iron

All the product information presented on these pages is only indicative and is provided subject to typographical errors, changes and deviations. The buyer cannot derive any rights from this information. The seller excludes any liability for damage resulting from the use of this information.