

ANG-BC-S4

GLOBE VALVE

Valveco®

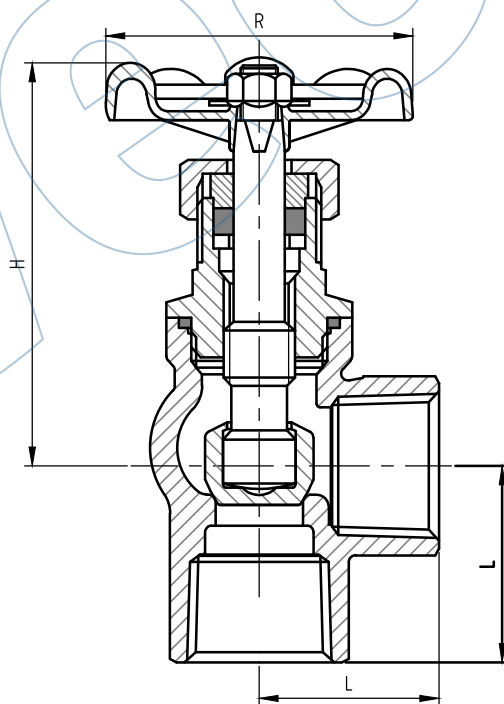
angle pattern, stop type, bronze body, bronze trim, pn16, bsp ends

Technical Features

Class	PN16
Inlet Design	BSP (ISO 228 / DIN 259)
Outlet Design	BSP (ISO 228 / DIN 259)
Operator	Handwheel

Dimensions

DN	Length	Weight
(")	(MM)	(kg)
1/4"	20	0.3
3/8"	22	0.3
1/2"	26	0.6
3/4"	30	0.6
1"	30	1
1 1/4"	44	1.7
1 1/2"	50	1.7
2"	62	2.9



Materials

Body	Bronze Rg 5
Bonnet	Brass
Stem	Brass Ms 58
Disc	Brass
Gasket	Graphite
Operator Material	Aluminium

All the product information presented on these pages is only indicative and is provided subject to typographical errors, changes and deviations. The buyer cannot derive any rights from this information. The seller excludes any liability for damage resulting from (the use of) this information.