

ANG-DB-D3

GLOBE VALVE

Valveco®

angle pattern, stop type, nodular cast iron body, bronze trim, pn16, flanged

Technical Features

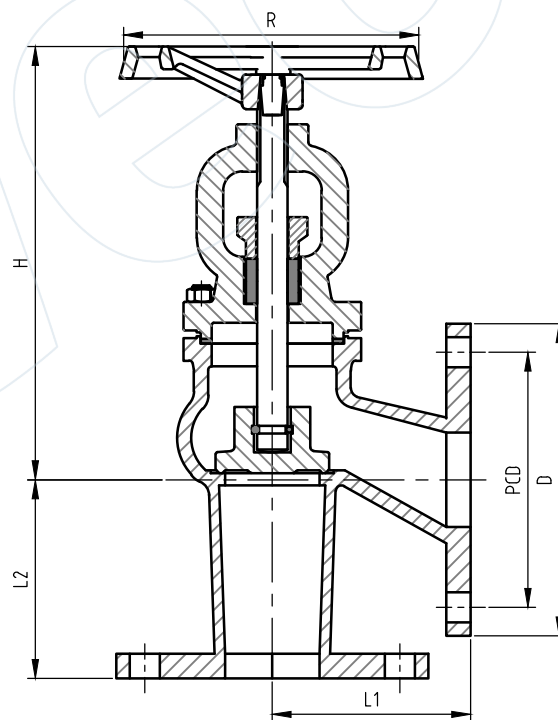
Class	PN16
Face-to-Face Design	EN-558-1 (DIN 3202-/F1)
Inlet Design	EN 1092 (DIN 2501)
Outlet Design	EN 1092 (DIN 2501)
Operator	Handwheel

Options

- Available with Lloyds Register of Shipping Class Certificate

Dimensions

DN	Length	PCD	Holes	Holes Dia	Weight
(MM)	(MM)	(MM)	(#)	(MM)	(kg)
15	90	65	4	14 (M12)	4
20	95	75	4	14 (M12)	4.5
25	100	85	4	14 (M12)	4.5
32	105	100	4	18 (M16)	7
40	115	110	4	18 (M16)	7
50	125	125	4	18 (M16)	12
65	145	145	4	18 (M16)	17
80	155	160	8	18 (M16)	23
100	175	180	8	18 (M16)	34
125	200	210	8	18 (M16)	46
150	225	240	8	22 (M20)	68
175	250	270	8	22 (M20)	96
200	275	295	12	22 (M20)	117
250	325	355	12	26 (M24)	205
300	375	410	12	26 (M24)	298
400	475	525	16	30 (M27)	650



Materials

Body / Bonnet	Nodular Cast Iron GGG40.3 (EN-GJS-400-18U-LT)
Stem	Brass Ms 58
Disc ≤ 65	Bronze Rg 5
Disc > 65	Cast Iron GG25
Disc / Seat Ring ≤ 65	Solid Bronze Rg5
Disc / Seat Ring > 65	Bronze Rg5
Gasket	Graphite
Operator Material	Cast Iron

All the product information presented on these pages is only indicative and is provided subject to typographical errors, changes and deviations. The buyer cannot derive any rights from this information. The seller excludes any liability for damage resulting from the use of this information.