

ANS-CS-D5

GLOBE VALVE

Valveco®

angle pattern, screw down non return type, cast steel body, stainless steel trim, pn40, flanged

Technical Features

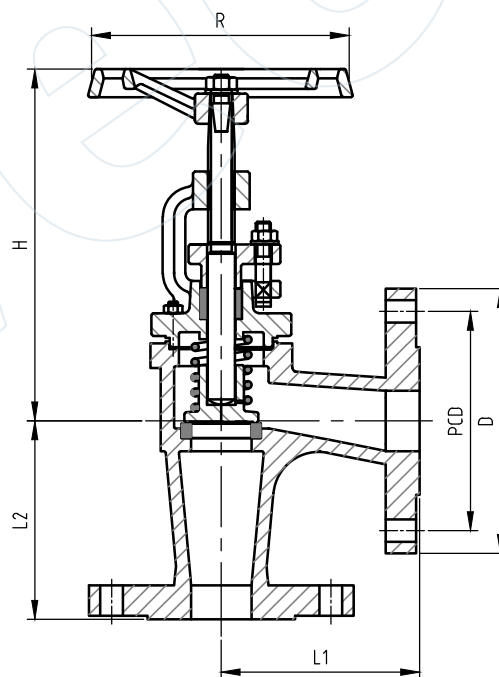
Class	PN40
Face-to-Face Design	EN-558-1 (DIN 3202-/F1)
Inlet Design	EN 1092 (DIN 2501)
Outlet Design	EN 1092 (DIN 2501)
Operator	Handwheel

Options

- Available with Lloyds Register of Shipping Class Certificate
- Available with Balanced Disc (Δp)

Dimensions

DN	Length	PCD	Holes	Holes Dia	Weight
(MM)	(MM)	(MM)	(#)	(MM)	(kg)
15	90	65	4	14 (M12)	5
20	95	75	4	14 (M12)	6
25	100	85	4	14 (M12)	7
32	105	100	4	18 (M16)	10
40	115	110	4	18 (M16)	14
50	125	125	4	18 (M16)	19
65	145	145	8	18 (M16)	28
80	155	160	8	18 (M16)	34
100	175	190	8	22 (M20)	48
125	200	220	8	26 (M24)	68
150	225	250	8	26 (M24)	99
200	275	320	12	30 (M27)	171
250	325	385	12	33 (M30)	188



Materials

Body / Bonnet	Steel
Spring	Stainless Steel 1.4310
Stem	Stainless Steel
Disc \leq 65	Stainless Steel
Disc $>$ 65	Forged Steel GSC 25
Disc / Seat Ring \leq 65	Solid Stainless Steel
Disc / Seat Ring $>$ 65	Stainless Steel
Gasket	Graphite
Operator Material	Cast Iron

All the product information presented on these pages is only indicative and is provided subject to typographical errors, changes and deviations. The buyer cannot derive any rights from this information. The seller excludes any liability for damage resulting from (the use of) this information.