

ANS-IS-D3

GLOBE VALVE

Valveco®

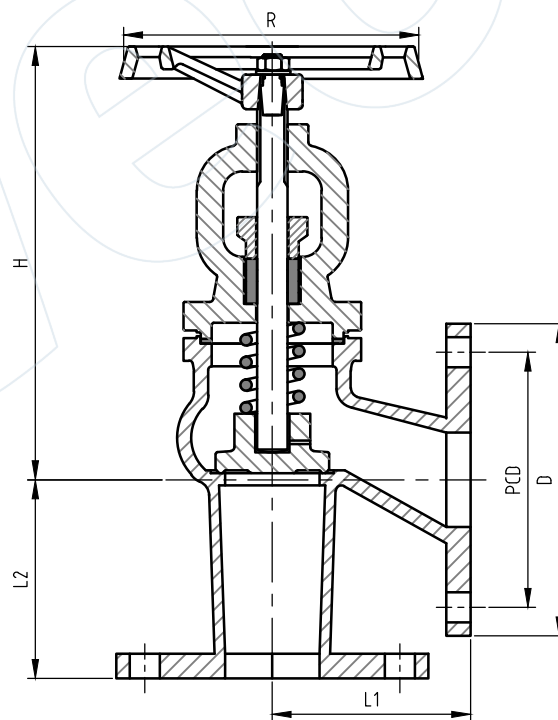
angle valve, screw down non return type, cast iron body, stainless steel trim, pn16, flanged

Technical Features

Class	PN16
Face-to-Face Design	EN-558-1 (DIN 3202-/F1)
Inlet Design	EN 1092 (DIN 2501)
Outlet Design	EN 1092 (DIN 2501)
Operator	Handwheel

Dimensions

DN (MM)	Length (MM)	PCD (MM)	Holes (#)	Holes Dia (MM)	Weight (kg)
15	90	65	4	14 (M12)	4
20	95	75	4	14 (M12)	4.5
25	100	85	4	14 (M12)	5.5
32	105	100	4	18 (M16)	7
40	115	110	4	18 (M16)	10
50	125	125	4	18 (M16)	12
65	145	145	4	18 (M16)	17
80	155	160	8	18 (M16)	20
100	175	180	8	18 (M16)	32
125	200	210	8	18 (M16)	46
150	225	240	8	22 (M20)	65
200	275	295	12	22 (M20)	129
250	325	355	12	26 (M24)	203
300	375	410	12	26 (M24)	282



Materials

Body / Bonnet	Cast Iron GG25 (EN-GJL-250)
Spring	Stainless Steel 1.4310
Stem	Stainless Steel
Disc ≤ 65	Stainless Steel
Disc > 65	Cast Iron GG25
Disc / Seat Ring ≤ 65	Solid Stainless Steel
Disc / Seat Ring > 65	Stainless Steel
Gasket	Graphite
Operator Material	Cast Iron

All the product information presented on these pages is only indicative and is provided subject to typographical errors, changes and deviations. The buyer cannot derive any rights from this information. The seller excludes any liability for damage resulting from the use of this information.