

BAJ-SS-D5

BALL VALVE

Valveco®

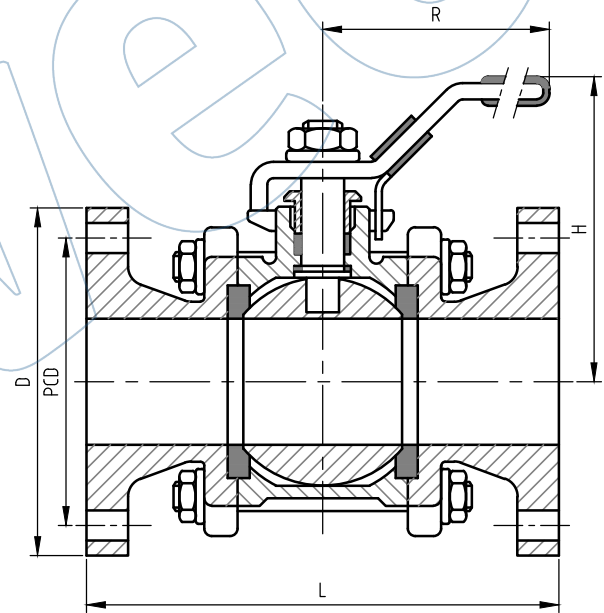
three piece design, full bore, stainless steel body, stainless steel trim,
r - ptfе seat, pn40, flanged

Technical Features

Class	PN40
Face-to-Face Design	EN-558-1 (DIN 3202-/F1)
Inlet Design	EN 1092 (DIN 2501)
Outlet Design	EN 1092 (DIN 2501)
Operator	Lever

Dimensions

DN	Length	PCD	Holes	Holes Dia	Weight
(MM)	(MM)	(MM)	(#)	(MM)	(kg)
15	130	65	4	14 (M12)	2.1
20	150	75	4	14 (M12)	3.1
25	160	85	4	14 (M12)	4.1
32	180	100	4	18 (M16)	6
40	200	110	4	18 (M16)	7.4
50	230	125	4	18 (M16)	10
65	290	145	8	18 (M16)	16.4
80	310	160	8	18 (M16)	19



Materials

Body	Stainless Steel (AISI 316)
Stem	Stainless Steel
Ball	Stainless Steel (AISI 316)
Seat Ring	PTFE
Operator Material	Stainless Steel (AISI 304)

All the product information presented on these pages is only indicative and is provided subject to typographical errors, changes and deviations. The buyer cannot derive any rights from this information. The seller excludes any liability for damage resulting from the use of this information.