

BAK-SS-S4

BALL VALVE

Valveco®

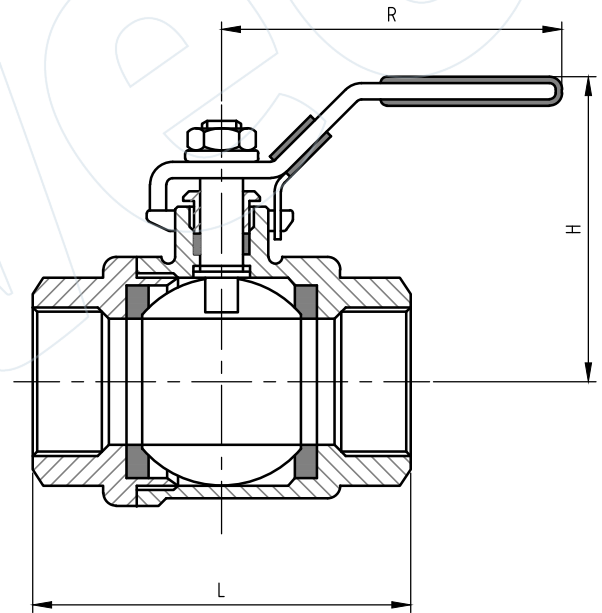
two piece design, full bore, stainless steel aisi 316 body and trim, r - ptfе seats, pn63, female bspp ends, lever operated

Technical Features

Class	PN63
Inlet Design	BSP (ISO 228 / DIN 259)
Outlet Design	BSP (ISO 228 / DIN 259)
Operator	Lever

Dimensions

DN	Length	Weight
(")	(MM)	(kg)
1/8"	54	0.25
1/4"	50	0.25
3/8"	50	0.25
1/2"	56	0.4
3/4"	65	0.5
1"	75	1
1 1/4"	90	1.5
1 1/2"	110	1.9
2"	122	3
2 1/2"	155	4
3"	180	10



Materials

Body	Stainless Steel (AISI 316)
Stem	Stainless Steel
Ball	Stainless Steel (AISI 316)
Seat Ring	PTFE
Gasket	PTFE
Operator Material	Stainless Steel (AISI 304)

All the product information presented on these pages is only indicative and is provided subject to typographical errors, changes and deviations. The buyer cannot derive any rights from this information. The seller excludes any liability for damage resulting from the use of this information.