

BAL-SS-D5

BALL VALVE

Valveco®

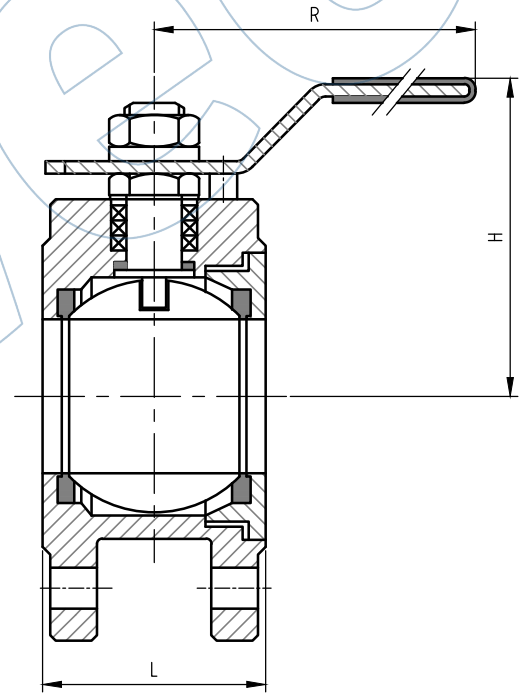
flanged wafer type, full bore, stainless steel body, stainless steel trim, ptfе seat, pn40

Technical Features

Class	PN40
Face-to-Face Design	Valveco Design
Inlet Design	EN 1092 (DIN 2501)
Outlet Design	EN 1092 (DIN 2501)
Operator	Lever

Dimensions

DN (MM)	Length (MM)	PCD (MM)	Holes (#)	Holes Dia (MM)	Weight (kg)
15	42	65	4	14 (M12)	1.3
20	44	75	4	14 (M12)	2
25	50	85	4	14 (M12)	2.8
32	60	100	4	18 (M16)	3.4
40	65	110	4	18 (M16)	4.5
50	75	125	4	18 (M16)	5.8
65	94	145	8	18 (M16)	9.2
80	118	160	8	18 (M16)	13
100	140	190	8	22 (M20)	19.3



Materials

Body	Stainless Steel (AISI 316)
Stem	Stainless Steel
Ball	Stainless Steel (AISI 316)
Seat Ring	PTFE
Operator Material	Stainless Steel (AISI 304)

All the product information presented on these pages is only indicative and is provided subject to typographical errors, changes and deviations. The buyer cannot derive any rights from this information. The seller excludes any liability for damage resulting from the use of this information.