

BAL-SS-S4

BALL VALVE

Valveco®

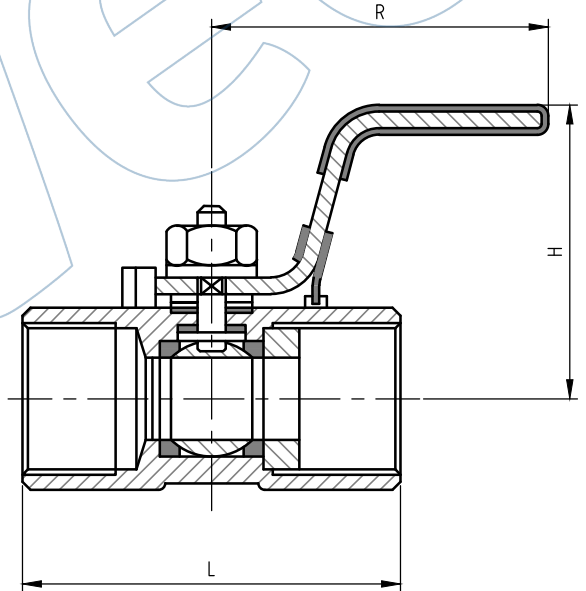
one piece design, reduced bore, stainless steel aisi 316 body and trim,
r - ptfе seats, pn63, female bspp ends, lever operated

Technical Features

| | |
|---------------|-------------------------|
| Class | PN63 |
| Inlet Design | BSP (ISO 228 / DIN 259) |
| Outlet Design | BSP (ISO 228 / DIN 259) |
| Operator | Lever |

Dimensions

| DN | Length | Weight |
|--------|--------|--------|
| (") | (MM) | (kg) |
| 1/8" | 35 | 0.1 |
| 1/4" | 40 | 0.1 |
| 3/8" | 45 | 0.15 |
| 1/2" | 56 | 0.3 |
| 3/4" | 61 | 0.3 |
| 1" | 70 | 0.4 |
| 1 1/4" | 78 | 0.7 |
| 1 1/2" | 82 | 0.9 |
| 2" | 100 | 1.5 |



Materials

| | |
|-------------------|----------------------------|
| Body | Stainless Steel (AISI 316) |
| Stem | Stainless Steel |
| Ball | Stainless Steel (AISI 316) |
| Seat Ring | PTFE |
| Gasket | PTFE |
| Operator Material | Stainless Steel (AISI 304) |

All the product information presented on these pages is only indicative and is provided subject to typographical errors, changes and deviations. The buyer cannot derive any rights from this information. The seller excludes any liability for damage resulting from the use of this information.