

BFC-DN-D2

BUTTERFLY VALVE - DOUBLE FLANGED TYPE



butterfly valve, double flanged type, nodular cast iron body, stainless steel stem, alu bronze disc, vulcanised nbr rubber liner

Technical Features

Class	PN10
Stem Pattern	Square

Materials

Body	Nodular Cast Iron
Stem	Stainless Steel
Disc	Aluminium Bronze
Seat	NBR

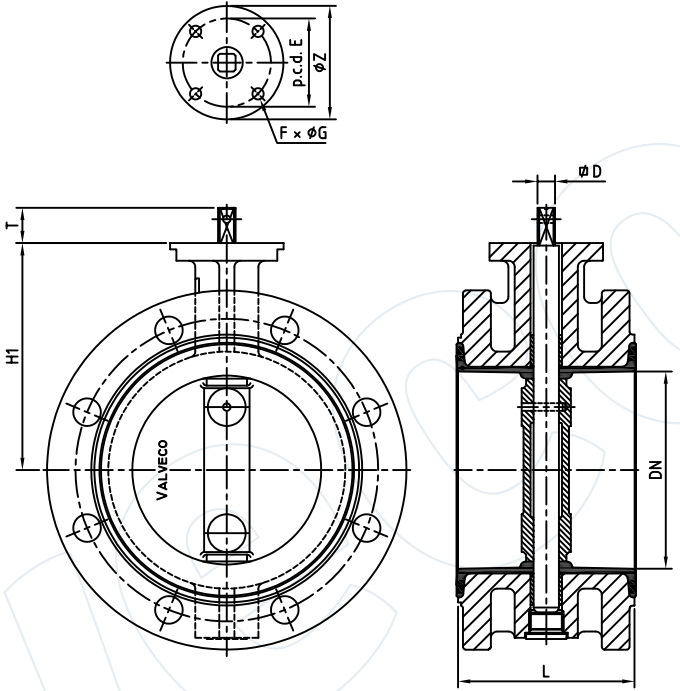
Options

- Other materials, (top) flange & stem connections + nominal sizes on request
- Lever, wormgear operator, electric, pneumatic or hydraulic actuator
- Available with Lloyds Register of Shipping Class Certificate

*** Smaller sizes refer to data sheet BFC-DN-D3 ***

Dimensions (dimensions may vary)

DN	Length	Height	Stem Dimensions	Stem Height	Topflange Diameter	Topflange PCD	Holes Dia	Weight
(MM)	(L)	(H1)	(\varnothing D)	(T)	(Z)	(E)	(F)	(kg)
200	152	204	17	28	90	70	4x9	36
250	165	245	22	30	125	102	4x11	55
300	178	270	22	30	125	102	4x11	66
350	190	315	27	29	150	125	4x14	95
400	216	350	27	29	150	125	4x14	130
450	222	375	36	38	175	140	4x18	200
500	229	415	36	38	210	165	4x22	250
600	267	465	46	48	210	165	4x22	330



All the product information presented on these pages is only indicative and is provided subject to typographical errors, changes and deviations. The buyer cannot derive any rights from this information. The seller excludes any liability for damage resulting from (the use of) this information.