

BFN-DN-D3

BUTTERFLY VALVE - MONO TYPE

Valveco[®]

butterfly valve, mono flange type, long pattern, centric disc, nodular cast iron body, stainless steel stem, alu bronze disc, vulcanised nbr rubber liner

Technical Features

Class	PN16
Stem Pattern	Square

Materials

Body	Nodular Cast Iron
Stem	Stainless Steel
Disc	Aluminium Bronze
Seat	NBR

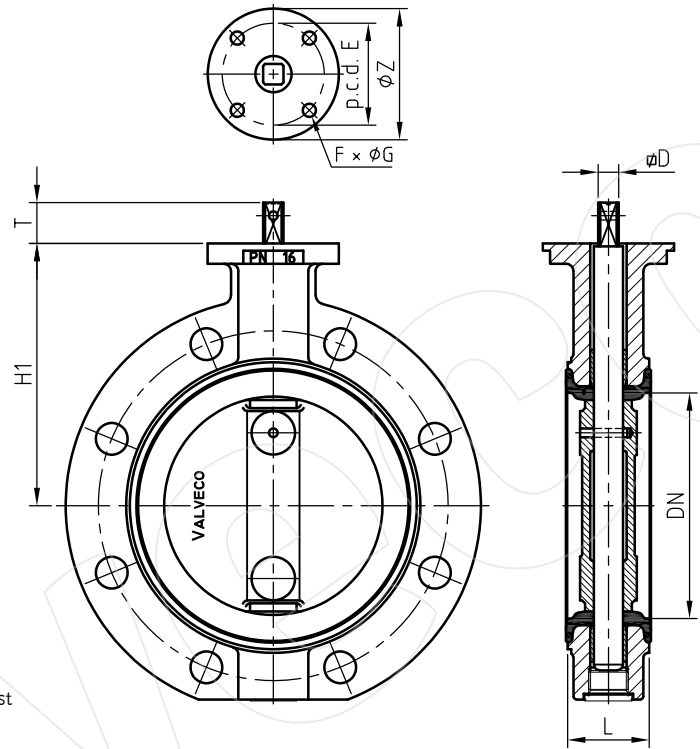
Options

- Other materials, (top) flange & stem connections + nominal sizes on request
- Lever, wormgear operator, electric, pneumatic or hydraulic actuator

dimensions may vary

Dimensions

DN	Length	Height	Stem Dimensions	Stem Height	Topflange Diameter	Topflange PCD	Holes Dia	Weight
(MM)	(L)	(H1)	($\varnothing D$)	(T)	(Z)	(E)	(F)	(kg)
50	43	118	11	25	90	70	4x9	3
65	46	126	11	25	90	70	4x9	4
80	64	133	11	25	90	70	4x9	5
100	64	147	11	25	90	70	4x9	6
125	70	160	14	28	90	70	4x9	9
150	76	180	14	28	90	70	4x9	11
200	89	204	17	28	90	70	4x9	15
250	114	245	22	30	125	102	4x11	26
300	114	270	22	30	125	102	4x11	34
350	127	315	27	29	150	125	4x14	58
400	140	350	27	29	150	125	4x14	82



All the product information presented on these pages is only indicative and is provided subject to typographical errors, changes and deviations. The buyer cannot derive any rights from this information. The seller excludes any liability for damage resulting from (the use of) this information.