

# BFW-DN-FX

## BUTTERFLY VALVE - WAFER TYPE

**Valveco**<sup>®</sup>

butterfly valve, wafer type with positioning holes, nodular cast iron, stainless steel stem, alu bronze disc, replaceable nbr rubber liner

### Technical Features

Class	PN6 / PN10 / PN16 / JIS 5K / JIS 10K
Stem Pattern	Square

### Materials

Body	Nodular Cast Iron
Stem	Stainless Steel
Disc	Aluminium Bronze
Seat	NBR

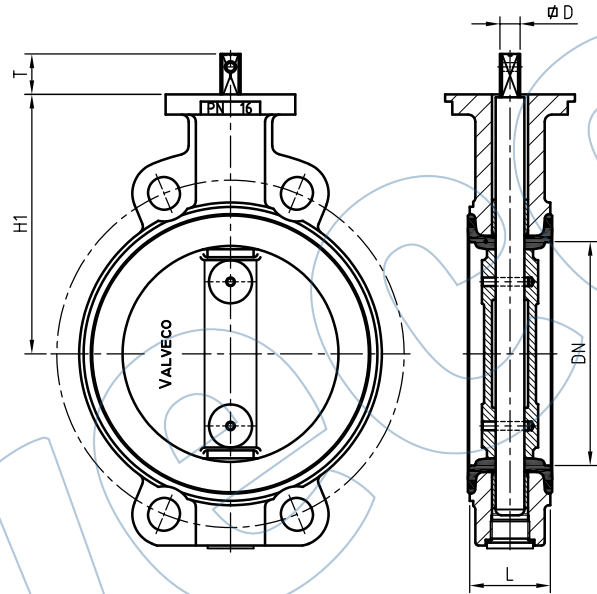
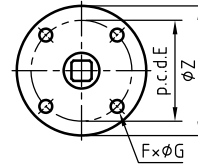
### Options

- Other materials, (top) flange & stem connections + nominal sizes on request
- Lever, wormgear operator, electric, pneumatic or hydraulic actuator

dimensions may vary

### Dimensions

DN	Length	Height	Stem Dimensions	Stem Height	Topflange PCD	Holes Dia	Topflange Diameter	Weight
(MM)	(L)	(H1)	( $\varnothing$ D)	(T)	(E)	(F)	(Z)	(kg)
40	33	120	11	25	70	4x9	90	4
50	43	124	11	25	70	4x9	90	3
65	46	134	11	25	70	4x9	90	4
80	46	141	11	25	70	4x9	90	4
100	52	156	11	25	50	4x9	90	5.5
125	56	168	14	28	50	4x9	90	8
150	56	184	14	28	70	4x7	90	9.5
200	60	213	17	28	70	4x9	90	15
250	68	244	22	30	102	4x11	125	27
300	78	283	22	30	102	4x11	125	38
350	78	368	27	29	125	4x14	150	47
400	102	400	27	29	125	4x14	150	52
450	114	422	36	38	140	4x18	175	79
500	127	480	36	38	140	4x18	175	145
600	154	562	46	48	165	4x22	210	192



All the product information presented on these pages is only indicative and is provided subject to typographical errors, changes and deviations. The buyer cannot derive any rights from this information. The seller excludes any liability for damage resulting from (the use of) this information.