

CHA-IB-D3

CHECK VALVE

Valveco®

lift type, angle pattern, for horizontal positioning, bolted cover, cast iron body, bronze trim, pn16, flanged

Technical Features

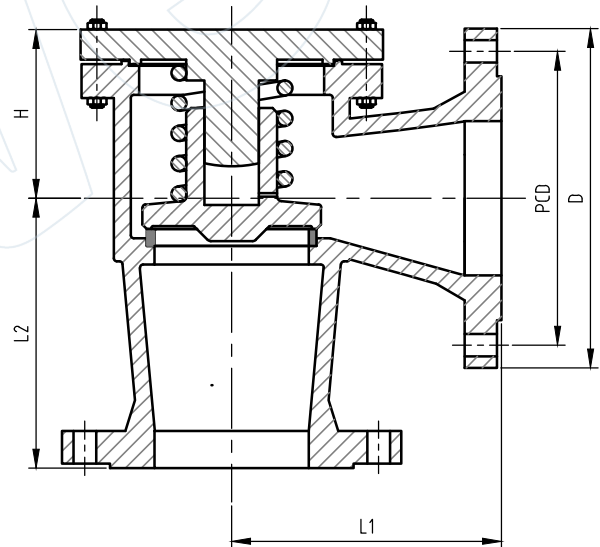
Class	PN16
Face-to-Face Design	EN-558-1 (DIN 3202-/F1)
Inlet Design	EN 1092 (DIN 2501)
Outlet Design	EN 1092 (DIN 2501)

Options

- Available in various Materials

Dimensions

DN	Length	PCD	Holes	Holes Dia	Weight
(MM)	(MM)	(MM)	(#)	(MM)	(kg)
15	90	65	4	14 (M12)	3
20	95	75	4	14 (M12)	3.5
25	100	85	4	14 (M12)	4
32	105	100	4	18 (M16)	6
40	115	110	4	18 (M16)	8
50	125	125	4	18 (M16)	10
65	145	145	4	18 (M16)	14
80	155	160	8	18 (M16)	19
100	175	180	8	18 (M16)	25
125	200	210	8	18 (M16)	45
150	225	240	8	22 (M20)	55
200	275	295	12	22 (M20)	97



Materials

Body / Bonnet	Cast Iron GG25 (EN-GJL-250)
Stem	Brass Ms 58
Spring	Stainless Steel
Disc ≤ 65	Bronze Rg 5
Disc > 65	Cast Iron GG25
Disc / Seat Ring ≤ 65	Solid Bronze Rg5
Disc / Seat Ring > 65	Bronze Rg5
Gasket	Graphite