

CHK-DB-D3

STORM VALVE

Valveco®

vertical pattern, nodular cast iron body, bronze trim, pn16, flanged

Technical Features

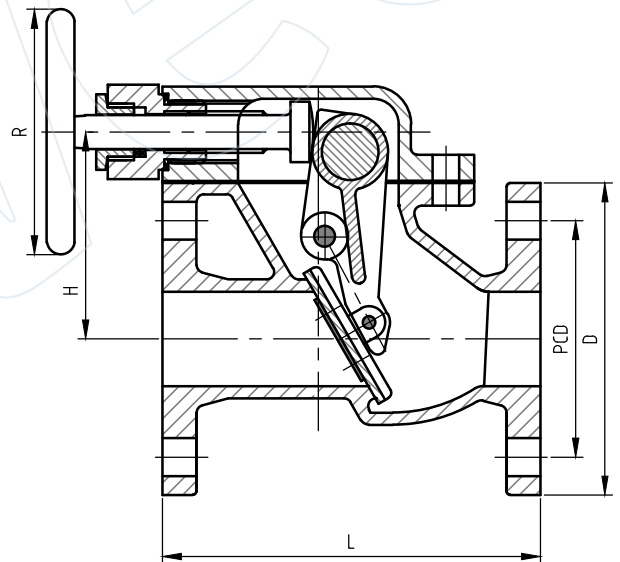
Design	DIN type HNA (DIN 87101)
Class	PN16
Working Pressure	4 bar
Inlet Design	EN 1092 (DIN 2501)
Outlet Design	EN 1092 (DIN 2501)
Operator	Handwheel

Dimensions

DN	Length	PCD	Holes	Holes Dia	Weight
(MM)	(MM)	(MM)	(#)	(MM)	(kg)
50	200	125	4	18 (M16)	17
65	240	145	4	18 (M16)	21
80	260	160	8	18 (M16)	29
100	300	180	8	18 (M16)	38
125	350	210	8	18 (M16)	56
150	400	240	8	22 (M20)	67

Options

- Other materials, flange connections and nominal sizes on request
- Without locking device CHK-DB-D3-SP
- Available with Lloyds Register of Shipping Class Certificate



Materials

Body / Bonnet	Nodular Cast Iron GGG40.3 (EN-GJS-400-18U-LT)
Stem	Brass Ms 58
Disc	Bronze Rg 5
Disc / Seat Ring	NBR
Gasket	Graphite
Plug	Bronze Rg 5
Operator Material	Cast Iron GG25 (EN-GJL-250)

All the product information presented on these pages is only indicative and is provided subject to typographical errors, changes and deviations. The buyer cannot derive any rights from this information. The seller excludes any liability for damage resulting from the use of this information.