

# CHN-II-D3

## FOOT VALVE

Valveco®

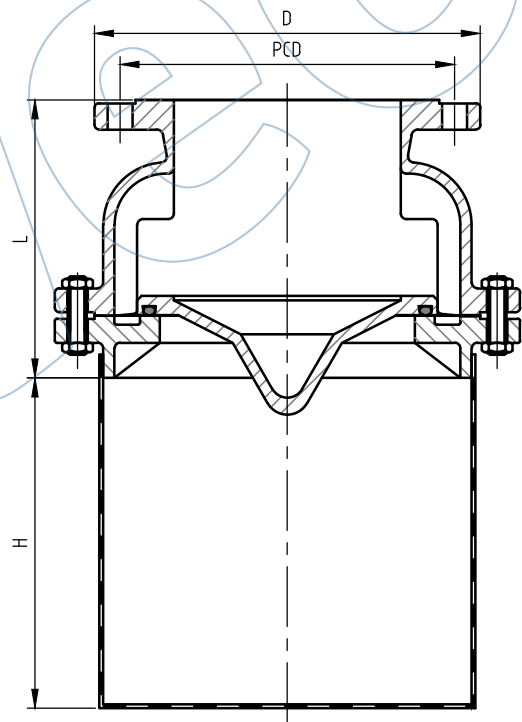
with strainer, cast iron body and trim, nbr disc ring, galvanised steel strainer, pn16, flanged

### Technical Features

Class	PN16
Inlet Design	EN 1092 (DIN 2501)

### Dimensions

DN	PCD	Holes	Holes Dia	Weight
(MM)	(MM)	(#)	(MM)	(kg)
50	125	4	18 (M16)	8
65	145	4	18 (M16)	10
80	160	8	18 (M16)	9.3
100	180	8	18 (M16)	18
125	210	8	18 (M16)	24
150	240	8	22 (M20)	34



### Materials

Body / Bonnet	Cast Iron GG25 (EN-GJL-250)
Screen / Strainer	Galvanized Steel
Disc	Cast Iron GG25 (EN-GJL-250)
Seat Ring	NBR

All the product information presented on these pages is only indicative and is provided subject to typographical errors, changes and deviations. The buyer cannot derive any rights from this information. The seller excludes any liability for damage resulting from the use of this information.