

CHS-DC-D3

CHECK VALVE

Valveco®

swing type, full bore, nodular cast iron body, steel trim, nbr seat, flanged

Technical Features

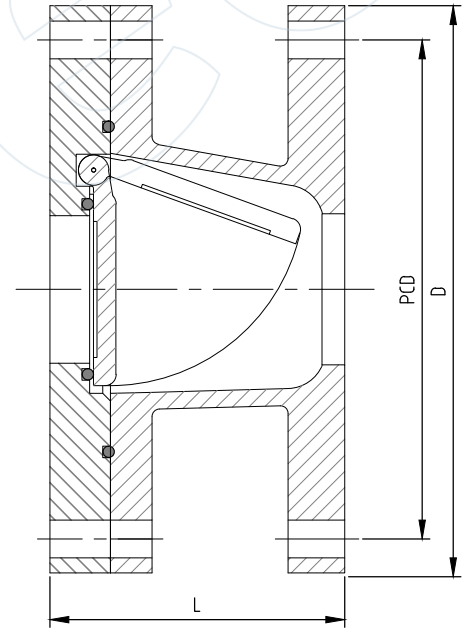
Design	Valveco Design
Class	PN16
Face-to-Face Design	Valveco Design
Inlet Design	EN 1092 (DIN 2501)
Outlet Design	EN 1092 (DIN 2501)

Options

- Available in various Materials

Dimensions

DN	Length	PCD	Holes	Holes Dia	Weight
(MM)	(MM)	(MM)	(#)	(MM)	(kg)
25	70	85	4	14 (M12)	4.1
32	75	100	4	18 (M16)	5.3
40	80	110	4	18 (M16)	5.5
50	85	125	4	18 (M16)	6.2
65	105	145	4	18 (M16)	8
80	125	160	8	18 (M16)	10
100	145	180	8	18 (M16)	16
125	170	210	8	18 (M16)	18
150	200	240	8	22 (M20)	28
200	255	295	12	22 (M20)	42
250	310	355	12	26 (M24)	52
300	360	410	12	26 (M24)	81



Materials

Body	Nodular Cast Iron GGG40.3 (EN-GJS-400-18U-LT)
Body Seat Ring	NBR
Disc	Steel
Gasket	NBR

All the product information presented on these pages is only indicative and is provided subject to typographical errors, changes and deviations. The buyer cannot derive any rights from this information. The seller excludes any liability for damage resulting from the use of this information.