

COC-BC-S4

COCK VALVE

Valveco®

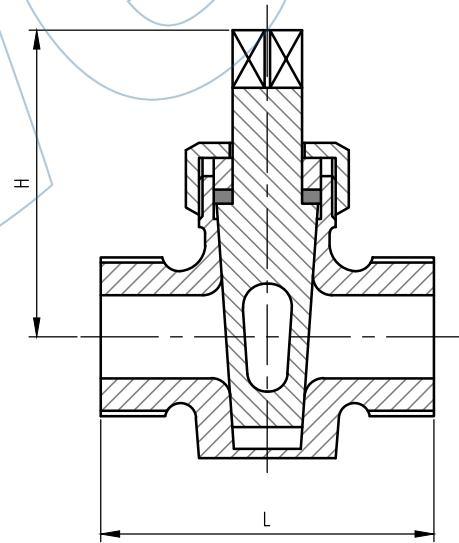
gland type, 2 way, bronze body and tim, pn 16, female bspp ends

Technical Features

Class	PN16
Inlet Design	BSP (ISO 228 / DIN 259)
Outlet Design	BSP (ISO 228 / DIN 259)
Operator	Bare Shaft

Dimensions

DN	Length	Weight
(")	(MM)	(kg)
1/4"	50	0.25
3/8"	50	0.25
1/2"	62	0.5
3/4"	72	0.7
1"	83	1.2
1 1/4"	100	1.5
1 1/2"	110	1.5
2"	125	4



Materials

Body / Bonnet	Bronze Rg 5
Stem	Brass Ms 58
Plug	Bronze Rg 5
Gland Nut	Bronze Rg 5
Gland Packing	Graphite

All the product information presented on these pages is only indicative and is provided subject to typographical errors, changes and deviations. The buyer cannot derive any rights from this information. The seller excludes any liability for damage resulting from the use of this information.