

COS-B0-S4

SOUNDING COCK

Valveco®

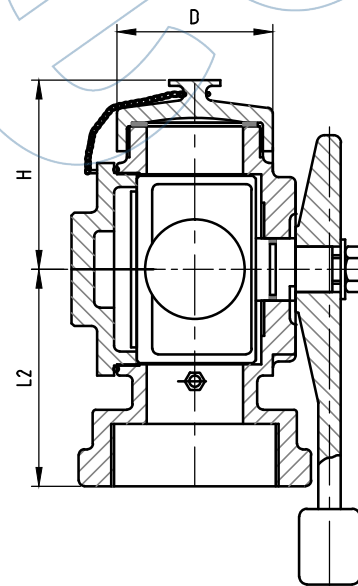
with lever & weight, bronze body, bronze trim

Technical Features

Class	PN6
Inlet Design	BSP (ISO 228 / DIN 259)
Outlet Design	BSP (ISO 228 / DIN 259)
Operator	Lever / Weight

Dimensions

DN	Weight
(")	(kg)
1 1/4"	3.5
1 1/2"	3.7
2"	4
2 1/2"	4



Materials

Body / Bonnet	Bronze Rg 5
Cap / Cover	Bronze Rg 5
Stem	Bronze Rg 5
Gasket	NBR O-Ringen
Plug	Bronze Rg 5
Operator Material	Cast Iron

All the product information presented on these pages is only indicative and is provided subject to typographical errors, changes and deviations. The buyer cannot derive any rights from this information. The seller excludes any liability for damage resulting from the use of this information.