

GAN-BB-D3-SP

GATE VALVE

Valveco®

screwed bonnet with locking plate, non rising stem, bronze body, bronze trim, pn16, flanged

Technical Features

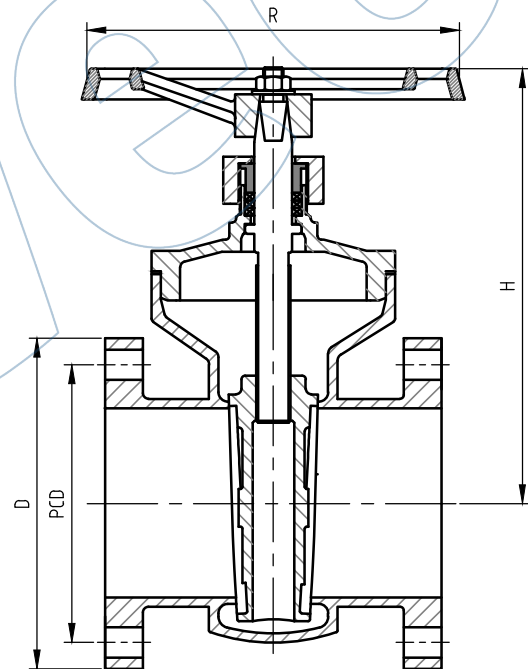
Class	PN16
Face-to-Face Design	EN558-1, 47(DIN3202-/F19)
Inlet Design	ACC. EN 1092-3/A (DIN 2501)
Outlet Design	ACC. EN 1092-3/A (DIN 2501)
Operator	Handwheel

Options

- Other materials, flange connections and nominal sizes on request
- Various remote actuators
- Available with Lloyds Register of Shipping Class Certificate

Dimensions

DN	Length	PCD	Holes	Holes Dia	Weight
(MM)	(MM)	(MM)	(#)	(MM)	(kg)
15	75	65	4	14 (M12)	1.7
20	75	75	4	14 (M12)	1.9
25	80	85	4	14 (M12)	2.5
32	90	100	4	18 (M16)	3.5
40	100	110	4	18 (M16)	4.5
50	110	125	4	18 (M16)	5
65	130	145	4	18 (M16)	9
80	150	160	8	18 (M16)	11.5
100	160	180	8	18 (M16)	19



Materials

Body / Bonnet	Bronze Rg 5
Stem	Brass Ms 58
Disc	Bronze Rg 5
Gasket	Graphite
Operator Material	Cast Iron

All the product information presented on these pages is only indicative and is provided subject to typographical errors, changes and deviations. The buyer cannot derive any rights from this information. The seller excludes any liability for damage resulting from the use of this information.