

GAN-BC-D3-SP

GATE VALVE

Valveco®

screwed bonnet, non rising stem, bronze body, bronze trim, pn16, flanged

Technical Features

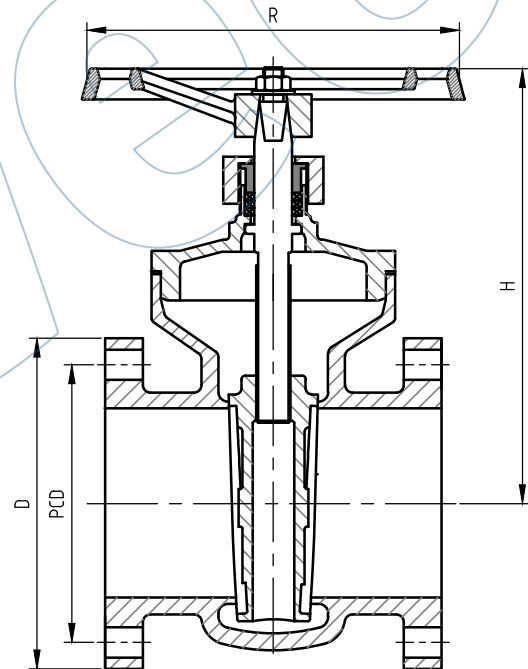
Class	PN16
Face-to-Face Design	Valveco Design
Inlet Design	ACC. EN 1092-3/A (DIN 2501)
Outlet Design	ACC. EN 1092-3/A (DIN 2501)
Operator	Handwheel

Options

- Other materials, flange connections and nominal sizes on request
- Various remote actuators

Dimensions

DN (MM)	Length (MM)	PCD (MM)	Holes (#)	Holes Dia (MM)	Weight (kg)
15	69	65	4	14 (M12)	1.7
20	84	75	4	14 (M12)	1.9
25	92	85	4	14 (M12)	2.5
32	98	100	4	18 (M16)	3.5
40	115	110	4	18 (M16)	4.5
50	126	125	4	18 (M16)	5.3
65	154	145	4	18 (M16)	9
80	160	160	8	18 (M16)	10.6
100	170	180	8	18 (M16)	15.4



Materials

Body / Bonnet	Bronze Rg 5
Stem	Brass Ms 58
Disc	Bronze Rg 5
Gasket	Graphite
Operator Material	Cast Iron

All the product information presented on these pages is only indicative and is provided subject to typographical errors, changes and deviations. The buyer cannot derive any rights from this information. The seller excludes any liability for damage resulting from the use of this information.