

GAN-BC-S4

GATE VALVE

Valveco®

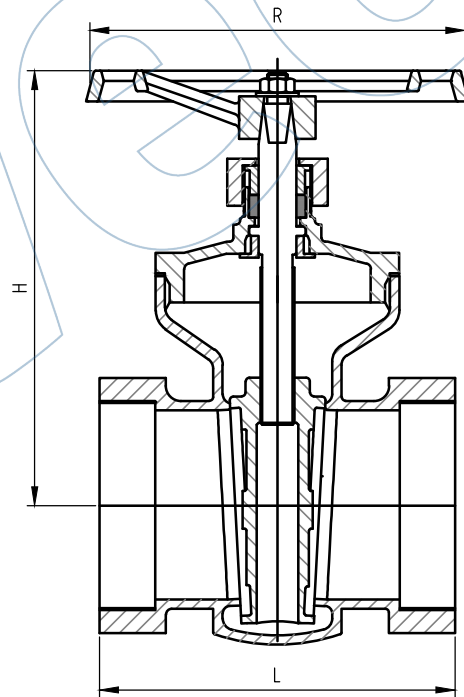
screwed bonnet, non rising stem, bronze body, bronze trim, pn16,
female bspp ends

Technical Features

Class	PN16
Inlet Design	BSP (ISO 228 / DIN 259)
Outlet Design	BSP (ISO 228 / DIN 259)
Operator	Handwheel

Dimensions

DN	Length	Weight
(")	(MM)	(kg)
1/4"	42	0.3
3/8"	43	0.3
1/2"	43	0.3
3/4"	44	0.4
1"	46	0.6
1 1/4"	48	0.9
1 1/2"	53	1.2
2"	56	1.9
2 1/2"	70	2.8
3"	80	3
4"	82	4



Materials

Body / Bonnet	Bronze Rg 5
Stem	Brass Ms 58
Disc	Bronze Rg 5
Gasket	Graphite
Operator Material	Cast Iron

All the product information presented on these pages is only indicative and is provided subject to typographical errors, changes and deviations. The buyer cannot derive any rights from this information. The seller excludes any liability for damage resulting from the use of this information.