

GAN-DB-FU

GATE VALVE

Valveco®

with position indicator, non rising stem, with gland packing, nodular cast iron body, bronze trim, pn16, flanged undrilled

Technical Features

Class	PN16
Face-to-Face Design	EN-558-1 (DIN 3202-/F4)
Inlet Design	EN 1092 (DIN 2501)
Outlet Design	EN 1092 (DIN 2501)
Operator	Handwheel

Pressure Range

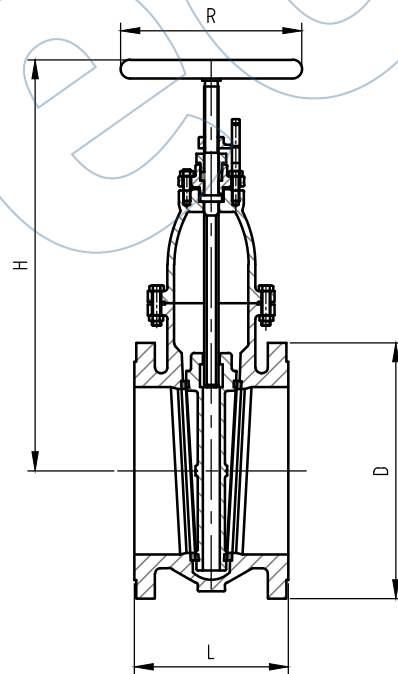
DN (Nominal Size)	PN (Nominal Pressure)
DN 40 - DN 150	PN16
DN 200 - DN 300	PN10
DN 350 - DN 500	PN6
DN 600 - DN 700	PN4

Options

- Other materials, flange connections and nominal sizes on request
- Various remote actuators
- Available with Lloyds Register of Shipping Class Certificate

Dimensions

DN (MM)	Length (MM)	Weight (kg)
40	140	8
50	150	9
65	170	13
80	180	17
100	190	22
125	200	36
150	210	55
200	230	87
250	250	125



Materials

Body / Bonnet	Nodular Cast Iron GGG40.3 (EN-GJS-400-18U-LT)
Stem	Brass Ms 58
Disc	Nodular Cast Iron GGG40.3 (EN-GJS-400-18U-LT)
Disc / Seat Ring	Bronze Rg 5
Plug	Bronze Rg 5
Gasket	Graphite
Operator Material	Cast Iron

All the product information presented on these pages is only indicative and is provided subject to typographical errors, changes and deviations. The buyer cannot derive any rights from this information. The seller excludes any liability for damage resulting from the use of this information.