

# GAN-IB-D2

## GATE VALVE

Valveco®

non rising stem, with gland packing, cast iron body, bronze trim, pn10, flanged

### Technical Features

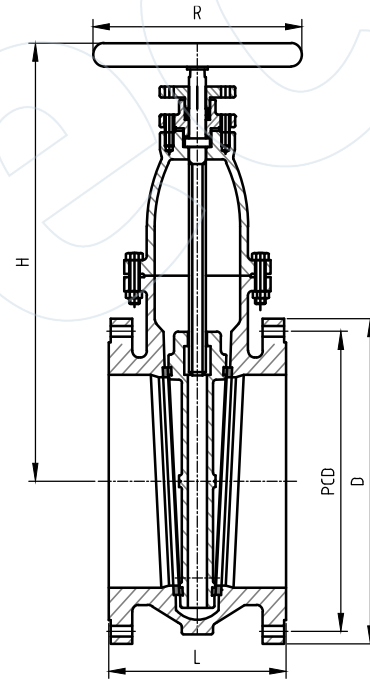
Class	PN10
Face-to-Face Design	EN-558-1 (DIN 3202-/F4)
Inlet Design	EN 1092 (DIN 2501)
Outlet Design	EN 1092 (DIN 2501)
Operator	Handwheel

### Pressure Range

DN (Nominal Size)	PN (Nominal Pressure)
DN 40 - DN 150	PN10
DN 175 - DN 300	PN6
DN 350 - DN 500	PN4
DN 600 - DN 700	PN2,5

### Dimensions

DN	Length	PCD	Holes	Holes Dia	Weight
(MM)	(MM)	(MM)	(#)	(MM)	(kg)
200	230	295	8	22 (M20)	87
250	250	350	12	22 (M20)	125
300	270	400	12	22 (M20)	135
350	290	460	16	22 (M20)	225
400	310	515	16	26 (M24)	281
450	330	565	20	26 (M24)	410
500	350	620	20	26 (M24)	445
600	390	725	20	30 (M27)	525



### Materials

Body / Bonnet	Cast Iron GG25 (EN-GJL-250)
Stem	Brass Ms 58
Disc	Cast Iron GG25 (EN-GJL-250)
Disc / Seat Ring	Bronze Rg 5
Gasket	Graphite
Operator Material	Cast Iron

### Options

- Other materials, flange connections and nominal sizes on request
- Various remote actuators

All the product information presented on these pages is only indicative and is provided subject to typographical errors, changes and deviations. The buyer cannot derive any rights from this information. The seller excludes any liability for damage resulting from the use of this information.