

GAN-IB-D3-IND

GATE VALVE

Valveco®

with position indicator, non rising stem, with gland packing, cast iron body, bronze trim, pn16, flanged

Technical Features

Class	PN16
Face-to-Face Design	EN-558-1 (DIN 3202-/F4)
Inlet Design	EN 1092 (DIN 2501)
Outlet Design	EN 1092 (DIN 2501)
Operator	Handwheel

Pressure Range

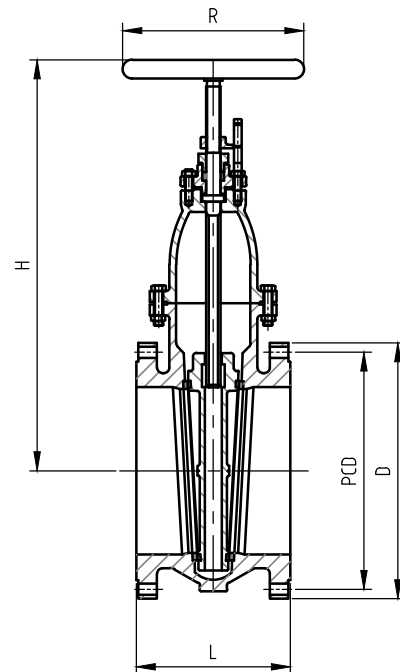
DN (Nominal Size)	PN (Nominal Pressure)
DN 40 - DN 150	PN10
DN 200 - DN 300	PN6
DN 350 - DN 500	PN4
DN 600 - DN 700	PN2,5

Options

- Other materials, flange connections and nominal sizes on request
- Various remote actuators

Dimensions

DN	Length	PCD	Holes	Holes Dia	Weight
(MM)	(MM)	(MM)	(#)	(MM)	(kg)
40	140	110	4	18 (M16)	8
50	150	125	4	18 (M16)	9
65	170	145	4	18 (M16)	13
80	180	160	8	18 (M16)	17
100	190	180	8	18 (M16)	22
125	200	210	8	18 (M16)	36
150	210	240	8	22 (M20)	55
175	220	270	8	22 (M20)	55
200	230	295	12	22 (M20)	87
250	250	355	12	26 (M24)	122
300	270	410	12	26 (M24)	150
400	310	525	16	30 (M27)	295



Materials

Body / Bonnet	Cast Iron GG25 (EN-GJL-250)
Stem	Brass Ms 58
Disc	Cast Iron GG25 (EN-GJL-250)
Disc / Seat Ring	Bronze Rg 5
Plug	Bronze Rg 5
Gasket	Graphite
Operator Material	Cast Iron

All the product information presented on these pages is only indicative and is provided subject to typographical errors, changes and deviations. The buyer cannot derive any rights from this information. The seller excludes any liability for damage resulting from the use of this information.