

GAO-CS-D4

GATE VALVE

Valveco®

rising stem / non rising handwheel, cast steel body, stainless steel trim,
pn25, flanged

Technical Features

Class	PN25
Face-to-Face Design	EN-558-1 (DIN 3202-/F5)
Operator	Handwheel

Pressure Range

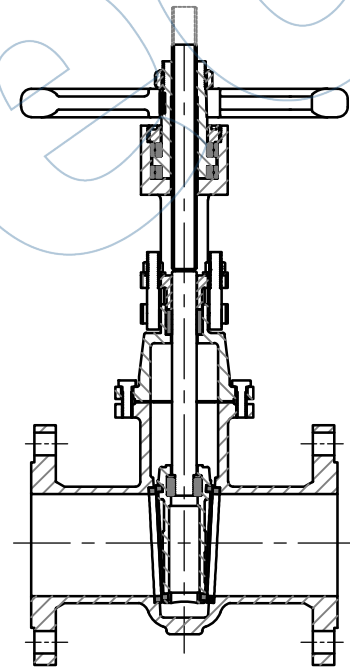
DN (Nominal Size)	PN (Nominal Pressure)
DN 40 - DN 500	PN25
DN 600 - DN 1000	PN16

Options

- Other materials, flange connections and nominal sizes on request
- Various remote actuators

Dimensions

DN	Length	PCD	Holes	Holes Dia	Weight
(MM)	(MM)	(MM)	(#)	(MM)	(kg)
65	270	145	8	18 (M16)	27
80	280	160	8	18 (M16)	38
100	300	190	8	22 (M20)	47
125	325	220	8	26 (M24)	66
150	350	250	8	26 (M24)	118
200	400	310	12	26 (M24)	157
250	450	370	12	30 (M27)	264
300	500	430	16	30 (M27)	326



Materials

Body / Bonnet	Cast steel
Stem	Stainless Steel
Disc	Cast steel
Disc / Seat Ring	Stainless Steel
Operator Material	Cast iron

All the product information presented on these pages is only indicative and is provided subject to typographical errors, changes and deviations. The buyer cannot derive any rights from this information. The seller excludes any liability for damage resulting from (the use of) this information.