

GLN-SS-S4

NEEDLE VALVE

Valveco®

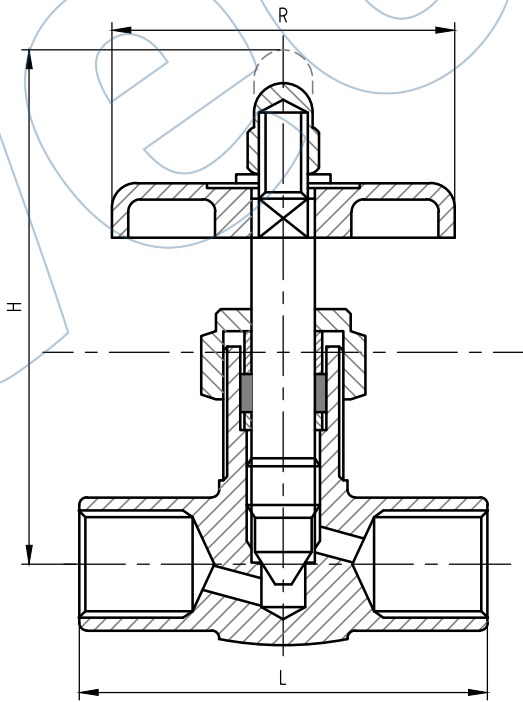
straight pattern, stainless steel body, stainless steel trim, 420 bar / 6000 psi, female bspp ends

Technical Features

Class	PN400
Inlet Design	BSP (ISO 228 / DIN 259)
Outlet Design	BSP (ISO 228 / DIN 259)
Operator	Handwheel

Dimensions

DN	Length	Weight
(")	(MM)	(kg)
1/4"	44	0.3
3/8"	58	0.4
1/2"	60	0.45
3/4"	70	0.6
1"	81	0.7



Materials

Cap / Cover	Stainless Steel (AISI 316)
Gland Packing	Graphite
Body	Stainless Steel (AISI 316)
Stem	Stainless Steel
Disc	Stainless Steel
Operator Material	Stainless Steel

All the product information presented on these pages is only indicative and is provided subject to typographical errors, changes and deviations. The buyer cannot derive any rights from this information. The seller excludes any liability for damage resulting from the use of this information.