

GLO-BB-D3

GLOBE VALVE

Valveco®

din 86260 pattern, straight pattern, stop type, bolted bonnet, bronze body, bronze trim, pn16, flanged

Technical Features

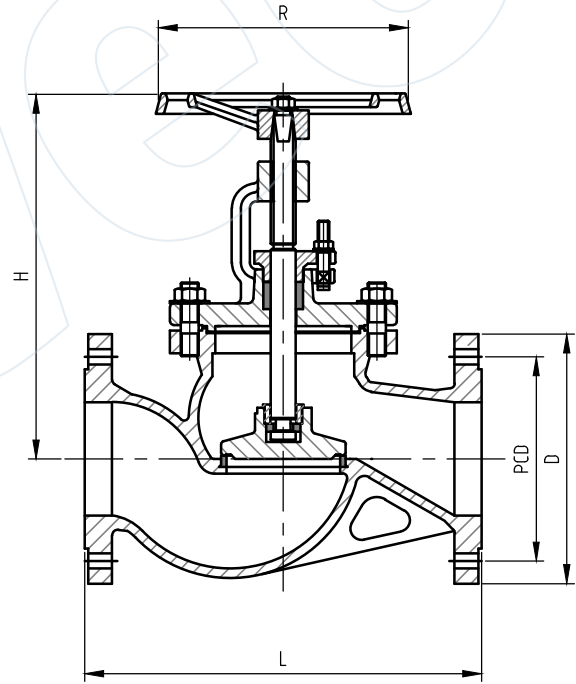
Design	EN-558-1 (DIN 3202-/F1)
Class	PN16
Face-to-Face Design	EN-558-1 (DIN 3202-/F1)
Inlet Design	ACC. EN 1092-3/A (DIN 2501)
Outlet Design	ACC. EN 1092-3/A (DIN 2501)
Operator	Handwheel

Options

- Available with Lloyds Register of Shipping Class Certificate
- Available in Low Zinc Bronze
- Available with Regulating Disc

Dimensions

DN (MM)	Length (MM)	PCD (MM)	Holes (#)	Holes Dia (MM)	Weight (kg)
15	130	65	4	14 (M12)	5
20	150	75	4	14 (M12)	5.5
25	160	85	4	14 (M12)	6
32	180	100	4	18 (M16)	8
40	200	110	4	18 (M16)	10
50	230	125	4	18 (M16)	12
65	290	145	4	18 (M16)	17
80	310	160	8	18 (M16)	23
100	350	180	8	18 (M16)	30
125	400	210	8	18 (M16)	50
150	480	240	8	22 (M20)	65
200	600	295	12	22 (M20)	110
250	730	355	12	26 (M24)	165
300	850	410	12	26 (M24)	295



Materials

Body / Bonnet	Bronze Rg 5
Stem	Brass Ms 58
Disc	Bronze Rg 5
Gasket	Graphite
Operator Material	Cast Iron

All the product information presented on these pages is only indicative and is provided subject to typographical errors, changes and deviations. The buyer cannot derive any rights from this information. The seller excludes any liability for damage resulting from the use of this information.