

# GLO-FS-S4

## GLOBE VALVE

Valveco®

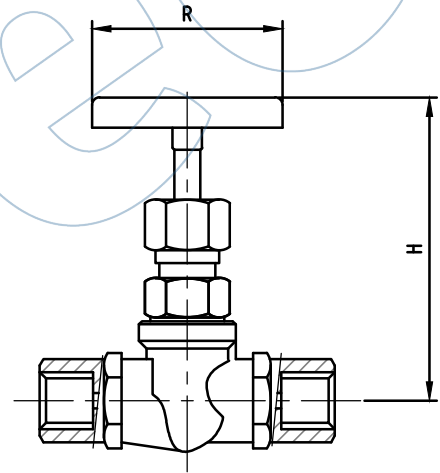
straight pattern, stop type, forged steel body, stainless steel trim,  
pn640, female bspp ends

### Technical Features

Class	PN640
Inlet Design	BSP (ISO 228 / DIN 259)
Outlet Design	BSP (ISO 228 / DIN 259)
Operator	Handwheel

### Dimensions

DN	Length	Weight
(")	(MM)	(kg)
1/4"	80	1
3/8"	80	1
1/2"	80	1
3/4"	100	1
1"	130	2



### Materials

Body / Bonnet	Forged steel
Stem	Stainless Steel
Disc	Stainless Steel
Disc / Seat Ring	Stainless Steel
Gasket	Graphite
Operator Material	Pressed steel

All the product information presented on these pages is only indicative and is provided subject to typographical errors, changes and deviations. The buyer cannot derive any rights from this information. The seller excludes any liability for damage resulting from the use of this information.