

GLS-BB-D3-SHRT

GLOBE VALVE

Valveco®

short pattern, straight pattern, screw down non return type, bolted bonnet, bronze body, bronze trim, pn16, flanged

Technical Features

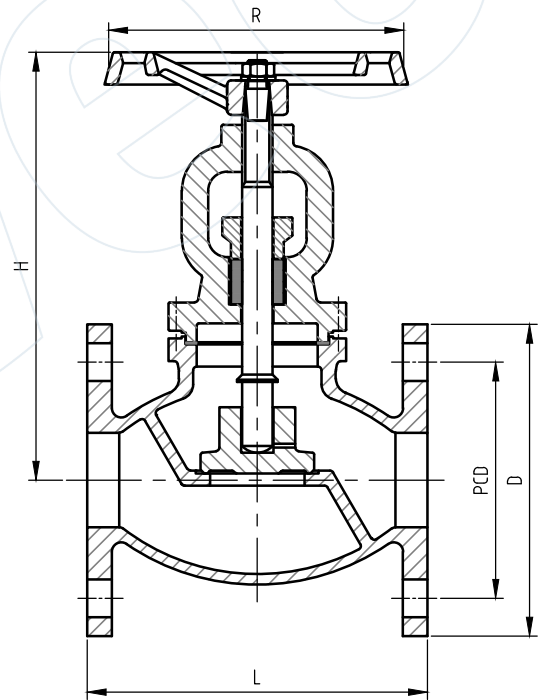
Design	Valveco Design
Class	PN16
Face-to-Face Design	Valveco Design
Inlet Design	ACC. EN 1092-3/A (DIN 2501)
Outlet Design	ACC. EN 1092-3/A (DIN 2501)
Operator	Handwheel

Options

- Available with Lloyds Register of Shipping Class Certificate
- Available in Low Zinc Bronze
- Available with Regulating Disc

Dimensions

DN (MM)	Length (MM)	PCD (MM)	Holes (#)	Holes Dia (MM)	Weight (kg)
15	120	65	4	14 (M12)	4.3
20	120	75	4	14 (M12)	5
25	140	85	4	14 (M12)	6
32	150	100	4	18 (M16)	8.7
40	155	110	4	18 (M16)	10
50	180	125	4	18 (M16)	13.2
65	200	145	4	18 (M16)	23
80	240	160	8	18 (M16)	31.9
100	270	180	8	18 (M16)	42.8
125	320	210	8	18 (M16)	62
150	370	240	8	22 (M20)	88
200	500	295	12	22 (M20)	136
250	730	355	12	26 (M24)	217
300	850	410	12	26 (M24)	233



Materials

Body / Bonnet	Bronze Rg 5
Stem	Brass Ms 58
Disc	Bronze Rg 5
Gasket	Graphite
Operator Material	Cast Iron

All the product information presented on these pages is only indicative and is provided subject to typographical errors, changes and deviations. The buyer cannot derive any rights from this information. The seller excludes any liability for damage resulting from the use of this information.