

GLS-BB-S4

GLOBE VALVE

Valveco®

straight pattern, union bonnet, screw down non return type, bronze body, bronze trim, pn16, bsp ends

Technical Features

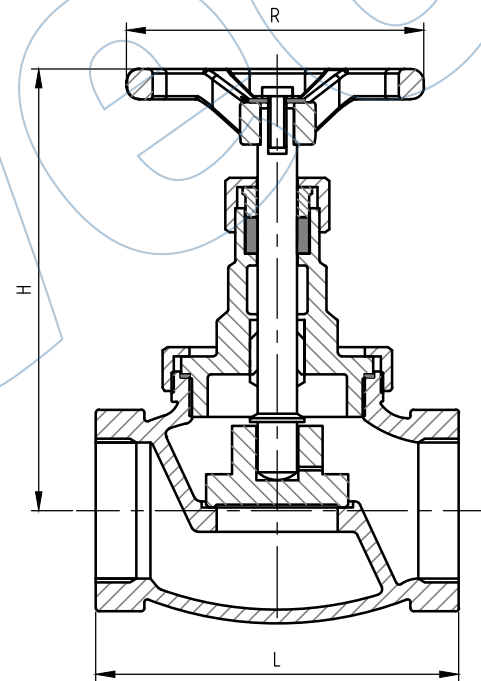
Class	PN16
Inlet Design	BSP (ISO 228 / DIN 259)
Outlet Design	BSP (ISO 228 / DIN 259)
Operator	Handwheel

Options

- Available with Lloyds Register of Shipping Class Certificate

Dimensions

DN	Length	Weight
(")	(MM)	(kg)
3/8"	60	0.6
1/2"	65	0.6
3/4"	75	0.8
1"	90	1.3
1 1/4"	105	1.9
1 1/2"	120	2.5
2"	120	4



Materials

Body / Bonnet	Bronze Rg 5
Stem	Brass Ms 58
Disc	Bronze Rg 5
Gasket	Graphite
Operator Material	Cast Iron

All the product information presented on these pages is only indicative and is provided subject to typographical errors, changes and deviations. The buyer cannot derive any rights from this information. The seller excludes any liability for damage resulting from the use of this information.