

GLS-DB-D3

GLOBE VALVE

Valveco®

straight pattern, screw down non return type, nodular cast iron body, bronze trim, pn16, flanged

Technical Features

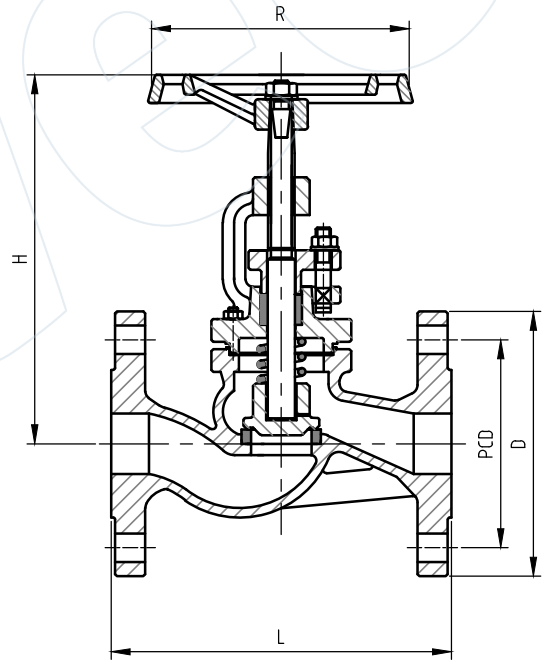
Class	PN16
Face-to-Face Design	EN-558-1 (DIN 3202-/F1)
Inlet Design	EN 1092 (DIN 2501)
Outlet Design	EN 1092 (DIN 2501)
Operator	Handwheel

Options

- Available with Lloyds Register of Shipping Class Certificate

Dimensions

DN	Length	PCD	Holes	Holes Dia	Weight
(MM)	(MM)	(MM)	(#)	(MM)	(kg)
15	130	65	4	14 (M12)	4
20	150	75	4	14 (M12)	4.5
25	160	85	4	14 (M12)	5
32	180	100	4	18 (M16)	7
40	200	110	4	18 (M16)	10
50	230	125	4	18 (M16)	13
65	290	145	4	18 (M16)	17
80	310	160	8	18 (M16)	25
100	350	180	8	18 (M16)	35
125	400	210	8	18 (M16)	53
150	480	240	8	22 (M20)	78
175	550	270	8	22 (M20)	122
200	600	295	12	22 (M20)	137
250	730	355	12	26 (M24)	247
300	850	410	12	26 (M24)	336
350	980	470	16	26 (M24)	430



Materials

Body / Bonnet	Nodular Cast Iron GGG40.3 (EN-GJS-400-18U-LT)
Spring	Stainless Steel 1.4310
Stem	Brass Ms 58
Disc ≤ 65	Bronze Rg 5
Disc > 65	Cast Iron GG25
Disc / Seat Ring ≤ 65	Solid Bronze Rg5
Disc / Seat Ring > 65	Bronze Rg5
Gasket	Graphite
Operator Material	Cast Iron

All the product information presented on these pages is only indicative and is provided subject to typographical errors, changes and deviations. The buyer cannot derive any rights from this information. The seller excludes any liability for damage resulting from (the use of) this information.