

HOG-BB-D3

HOSE VALVE

Valveco®

straight pattern, screwed bonnet, inlet flanged pn 16, outlet male
bspp, pn16

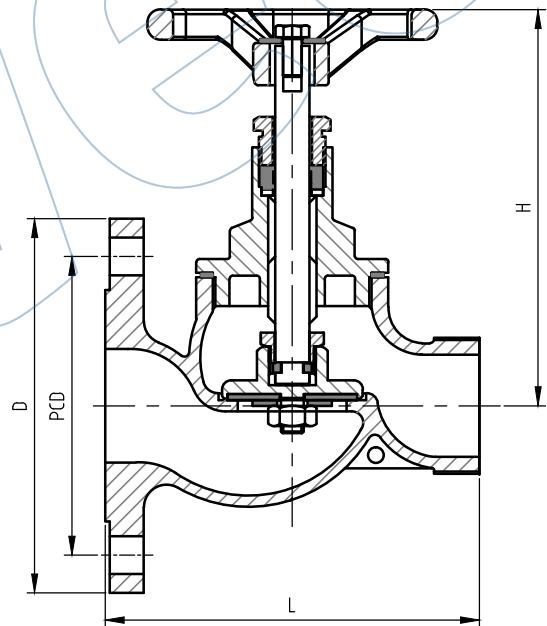
*optional: Hose couplings and caps

Technical Features

Class	PN16
Inlet Design	ACC. EN 1092-3/A (DIN 2501)
Outlet Design	BSP (ISO 228 / DIN 259)
Operator	Handwheel

Dimensions

DN	PCD	Holes	Holes Dia	Weight
(MM)	(MM)	(#)	(MM)	(kg)
25	85	4	14 (M12)	1.7
32	100	4	18 (M16)	3
40	110	4	18 (M16)	6
50	125	4	18 (M16)	8
65	145	4	18 (M16)	12
80	160	8	18 (M16)	10.5



Materials

Body / Bonnet	Bronze Rg 5
Stem	Brass Ms 58
Disc	Bronze Rg 5
Disc / Seat Ring	NBR
Gasket	Graphite
Gland Packing	Graphite
Operator Material	Cast Iron

All the product information presented on these pages is only indicative and is provided subject to typographical errors, changes and deviations. The buyer cannot derive any rights from this information. The seller excludes any liability for damage resulting from the use of this information.