

# MBC-IS-D3

## MUD BOX

Valveco®

straight pattern, bolted cover, cast iron body, stainless steel basket, pn16, flanged

### Technical Features

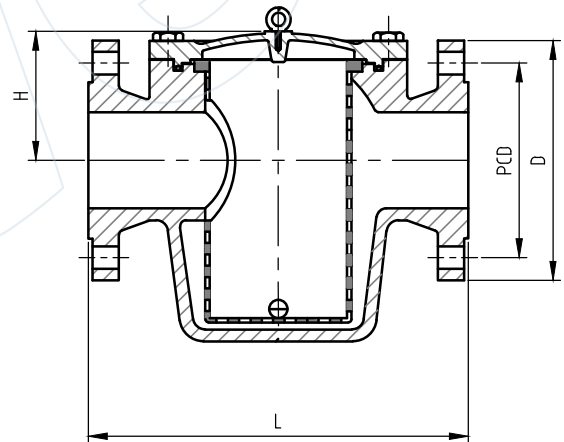
Face-to-Face Design	DIN 87151
Class	PN16
Working Pressure	4 bar
Inlet Design	EN 1092 (DIN 2501)
Outlet Design	EN 1092 (DIN 2501)

### Options

- Available in various Materials
- Available with special Perforation
- Available with Quick Release Bolts
- Available with Protective Coating internally

### Dimensions

DN	Length	PCD	Holes	Holes Dia	Weight
(MM)	(MM)	(MM)	(#)	(MM)	(kg)
25	100	85	4	14 (M12)	8
40	125	110	4	18 (M16)	16
50	135	125	4	18 (M16)	20
65	150	145	4	18 (M16)	27
80	175	160	8	18 (M16)	34
100	195	180	8	18 (M16)	51
125	220	210	8	18 (M16)	71
150	270	240	8	22 (M20)	103
200	600	295	12	22 (M20)	155
250	600	355	12	26 (M24)	175
300	700	410	12	26 (M24)	235
350	800	470	16	26 (M24)	300
400	740	525	16	30 (M27)	430
450	1000	585	20	30 (M27)	480



### Materials

Body / Bonnet	Cast Iron GG25 (EN-GJL-250)
Screen / Strainer	Stainless Steel (AISI 304)
Gasket	Graphite
Plug	Bronze Rg5

All the product information presented on these pages is only indicative and is provided subject to typographical errors, changes and deviations. The buyer cannot derive any rights from this information. The seller excludes any liability for damage resulting from the use of this information.