

ANG-CS-F6

GLOBE VALVE (F7318)

Valveco®

angle pattern, stop type, bolted cover, cast steel body, stainless steel trim, 40k, flanged

Technical Features

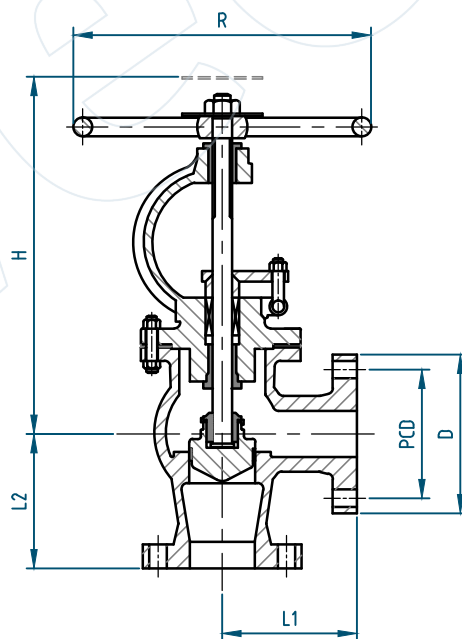
Design	JIS F 7318
Class	40K
Face-to-Face Design	JIS F 7318
Inlet Design	Flanged (JIS B 2210)
Outlet Design	Flanged (JIS B 2210)
Operator	Handwheel

Options

- Available with Lloyds Register of Shipping Class Certificate

Dimensions

DN	Length	PCD	Holes	Holes Dia	Weight
(MM)	(MM)	(MM)	(#)	(MM)	(kg)
32	114	105	4	19 (M16)	24.9
40	121	120	4	23 (M20)	29.4
50	146	130	8	19 (M16)	40
65	165	160	8	23 (M20)	60.3
80	178	170	8	23 (M20)	76.2
100	216	205	8	25 (M22)	135
125	254	250	8	27 (M24)	189
150	279	295	12	33 (M30)	284



Materials

Body / Bonnet	Cast Steel (JIS G 5101)
Stem	Stainless Steel
Disc	Stainless Steel
Gasket	Graphite
Operator Material	Steel

All the product information presented on these pages is only indicative and is provided subject to typographical errors, changes and deviations. The buyer cannot derive any rights from this information. The seller excludes any liability for damage resulting from the use of this information.