

ANG-FS-F4

GLOBE VALVE (F7422)

Valveco®

angle pattern, stop type, union bonnet, forged steel body, stainless steel trim, 20k, flanged

Technical Features

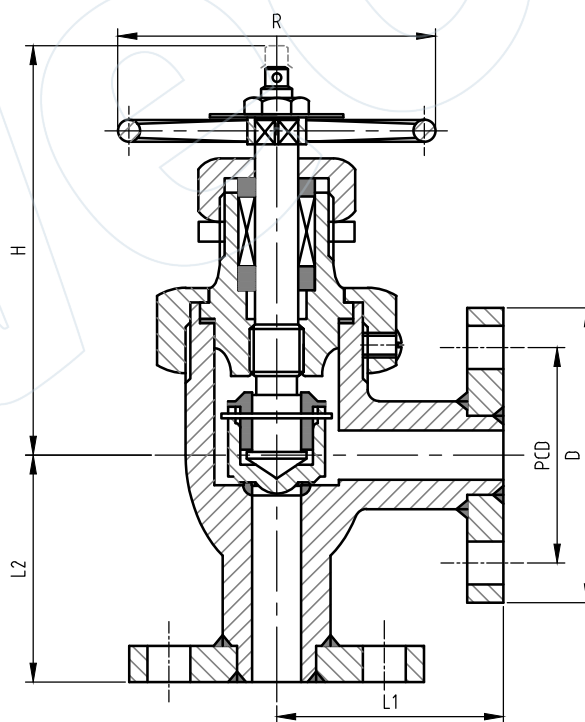
Design	JIS F 7422
Class	20K
Face-to-Face Design	JIS F 7422
Inlet Design	Flanged (JIS B 2210)
Outlet Design	Flanged (JIS B 2210)
Operator	Handwheel

Options

- Type S & U end connections
- Available with Lloyds Register of Shipping Class Certificate

Dimensions

DN	Length	PCD	Holes	Holes Dia	Weight
(MM)	(MM)	(MM)	(#)	(MM)	(kg)
15	75	70	4	15 (M12)	4
20	80	75	4	15 (M12)	6
25	95	90	4	19 (M16)	7



Materials

Body / Bonnet	Forged Steel (JIS G 3201)
Stem	Stainless Steel
Disc	Stainless Steel
Gasket	Graphite
Operator Material	Cast Iron (JIS G 5501)

All the product information presented on these pages is only indicative and is provided subject to typographical errors, changes and deviations. The buyer cannot derive any rights from this information. The seller excludes any liability for damage resulting from the use of this information.