

ANH-CS-F2

QUICK CLOSING VALVE (F7399-10K-L-CS)

Valveco[®]

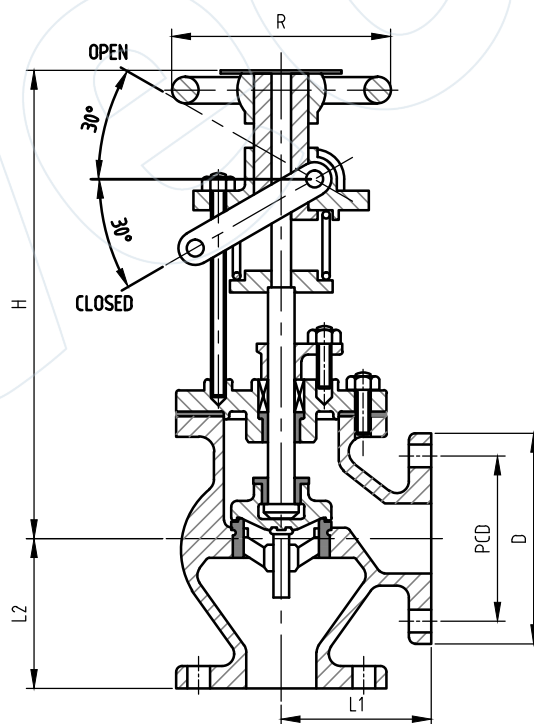
angle pattern, pneumatic/manual operator, cast steel body, stainless steel trim, 10k, flanged

Technical Features

Design	JIS F7399
Class	10K
Face-to-Face Design	JIS F7399
Inlet Design	Flanged (JIS B 2210)
Outlet Design	Flanged (JIS B 2210)
Operator	Handwheel

Dimensions

DN (MM)	Length (L) (MM)	PCD (MM)	Holes (#)	Holes Dia (MM)	Weight (kg)
50	120	120	4	19 (M16)	13
65	130	140	4	19 (M16)	19
80	140	150	8	19 (M16)	31
100	160	175	8	19 (M16)	47
125	180	210	8	23 (M20)	74
150	205	240	8	23 (M20)	102



Materials

Body / Bonnet	Cast Steel (JIS G 5101)
Stem	Stainless Steel (AISI 316)
Disc	Stainless Steel (AISI 316)
Gasket	Graphite
Operator Material	Cast Iron (JIS G 5501)

All the product information presented on these pages is only indicative and is provided subject to typographical errors, changes and deviations. The buyer cannot derive any rights from this information. The seller excludes any liability for damage resulting from the use of this information.