

ANL-BB-F2-VS

SELF CLOSING VALVE (F7398-VS-U-10K)

Valveco®

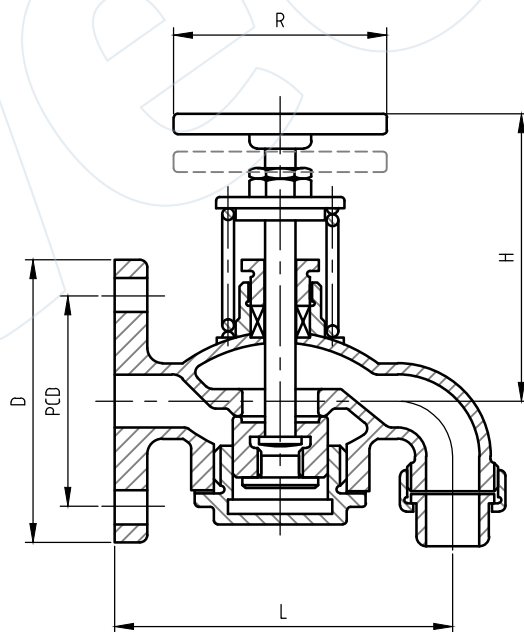
angle pattern, push button type, bronze body and trim, 10k, inlet flanged

Technical Features

Face-to-Face Design	JIS JIS F 7398
Design	JIS JIS F 7398
Class	10K
Inlet Design	Flanged (JIS B 2240)

Dimensions

DN	PCD	Holes	Holes Dia	Length	Weight
(MM)	(MM)	(#)	(MM)	(L)	(kg)
25	90	4	19 (M16)	130	5
40	105	4	19 (M16)	180	8
50	120	4	19 (M16)	220	12



Materials

Bonnet	Bronze (JIS H 5111)
Stem	Bronze (JIS H 5111)

All the product information presented on these pages is only indicative and is provided subject to typographical errors, changes and deviations. The buyer cannot derive any rights from this information. The seller excludes any liability for damage resulting from the use of this information.