

# ANS-BC-F1

GLOBE VALVE (F7352)

Valveco®

angle pattern, screw down non return, secured bonnet, bronze body, bronze trim, 5k, flanged

## Technical Features

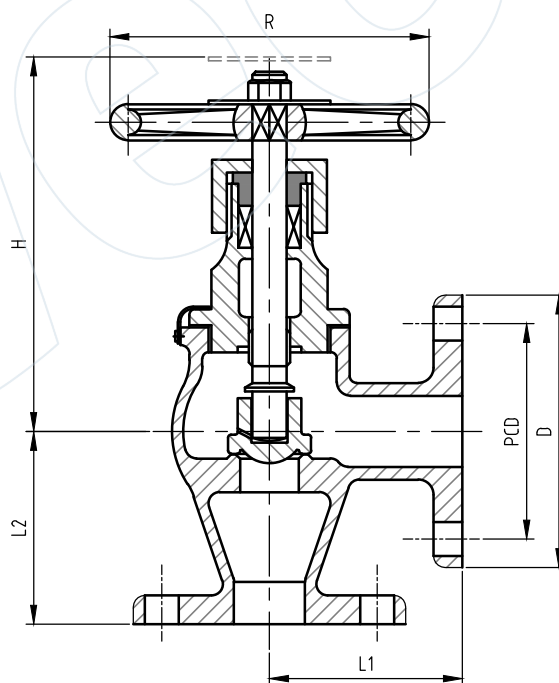
Design	JIS F 7352
Class	5K
Face-to-Face Design	JIS F 7352
Inlet Design	Flanged (JIS B 2240)
Outlet Design	Flanged (JIS B 2240)
Operator	Handwheel

## Options

- Other materials and nominal sizes on request
- Available with Lloyds Register of Shipping Class Certificate

## Dimensions

DN	Length	PCD	Holes	Holes Dia	Weight
(MM)	(MM)	(MM)	(#)	(MM)	(kg)
15	55	60	4	12 (M10)	2
20	60	65	4	12 (M10)	3
25	65	75	4	12 (M10)	4
32	80	90	4	15 (M12)	5
40	85	95	4	15 (M12)	6
50	100	105	4	15 (M12)	8
65	115	130	4	15 (M12)	15.6



## Materials

Body / Bonnet	Bronze (JIS H 5111)
Stem	Brass (JIS H 3250)
Disc	Bronze (JIS H 5111)
Gasket	Graphite
Operator Material	Cast Iron (JIS G 5501)

All the product information presented on these pages is only indicative and is provided subject to typographical errors, changes and deviations. The buyer cannot derive any rights from this information. The seller excludes any liability for damage resulting from (the use of) this information.