

# ANS-CS-F1

## GLOBE VALVE (F7312-SDNR)

Valveco®

angle pattern, screw down non return type, bolted bonnet, cast steel body, stainless steel trim, 5k, flanged

### Technical Features

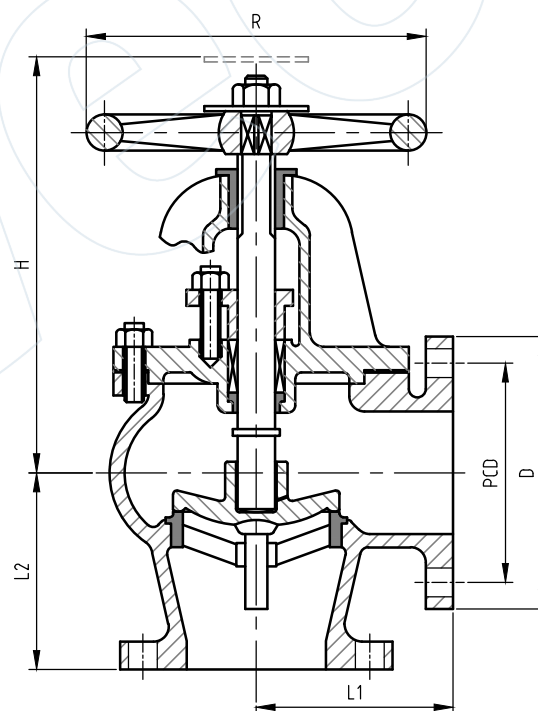
Design	JIS F 7312
Class	5K
Face-to-Face Design	JIS F 7312
Inlet Design	Flanged (JIS B 2210)
Outlet Design	Flanged (JIS B 2210)
Operator	Handwheel

### Options

- Available with Lloyds Register of Shipping Class Certificate

### Dimensions

DN (MM)	Length (MM)	PCD (MM)	Holes (#)	Holes Dia (MM)	Weight (kg)
50	100	105	4	15 (M12)	13
65	115	130	4	15 (M12)	19
80	130	145	4	19 (M16)	24
100	150	165	8	19 (M16)	35
125	170	200	8	19 (M16)	58
150	190	230	8	19 (M16)	70
200	220	280	8	23 (M20)	130
250	275	345	12	23 (M20)	178
300	310	390	12	23 (M20)	275
350	360	435	12	25 (M22)	330
400	395	495	16	25 (M22)	470



### Materials

Body / Bonnet	Cast Steel (JIS G 5101)
Stem	Stainless Steel
Disc	Stainless Steel
Gasket	Graphite
Operator Material	Cast Iron (JIS G 5501)

All the product information presented on these pages is only indicative and is provided subject to typographical errors, changes and deviations. The buyer cannot derive any rights from this information. The seller excludes any liability for damage resulting from the use of this information.