

# ANS-IS-F3

GLOBE VALVE (F7378-SS)

Valveco®

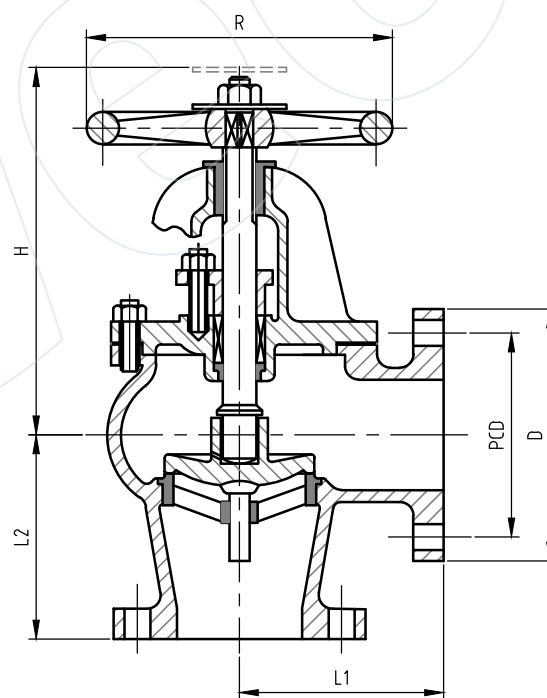
angle pattern, screw down non return, bolted cover, cast iron body, stainless steel trim, 16k, flanged

## Technical Features

Design	JIS F 7378
Class	16K
Face-to-Face Design	JIS F 7378
Inlet Design	Flanged (JIS B 2210)
Outlet Design	Flanged (JIS B 2210)
Operator	Handwheel

## Dimensions

DN	Length	PCD	Holes	Holes Dia	Weight
(MM)	(MM)	(MM)	(#)	(MM)	(kg)
50	120	120	8	19 (M16)	19
65	130	140	8	19 (M16)	25
80	150	160	8	23 (M20)	36
100	170	185	8	23 (M20)	50
125	200	225	8	25 (M22)	77
150	225	260	12	25 (M22)	105
200	250	305	12	25 (M22)	165



## Materials

Body / Bonnet	Cast Iron (JIS G 5501)
Stem	Stainless Steel
Disc	Stainless Steel
Gasket	Graphite
Operator Material	Cast Iron (JIS G 5501)

All the product information presented on these pages is only indicative and is provided subject to typographical errors, changes and deviations. The buyer cannot derive any rights from this information. The seller excludes any liability for damage resulting from the use of this information.