

BFC-DN-FU

BUTTERFLY VALVE - DOUBLE FLANGED TYPE (F4620)

Valveco®

butterfly valve, double flanged type, short pattern, nodular cast iron fcd body, stainless steel stem, alu bronze disc, replaceable nbr rubber seat, flanges undrilled

Technical Features

Class 5K, 10K, 16K

Stem Pattern Square

Options

- Available with various flange standard (5K/10K/16K/PN6/PN10)
- Other materials, flange connections and nominal sizes on request
- Lever, wormgear operator, electric, pneumatic or hydraulic actuator
- Available with Lloyds Register of Shipping Class Certificate

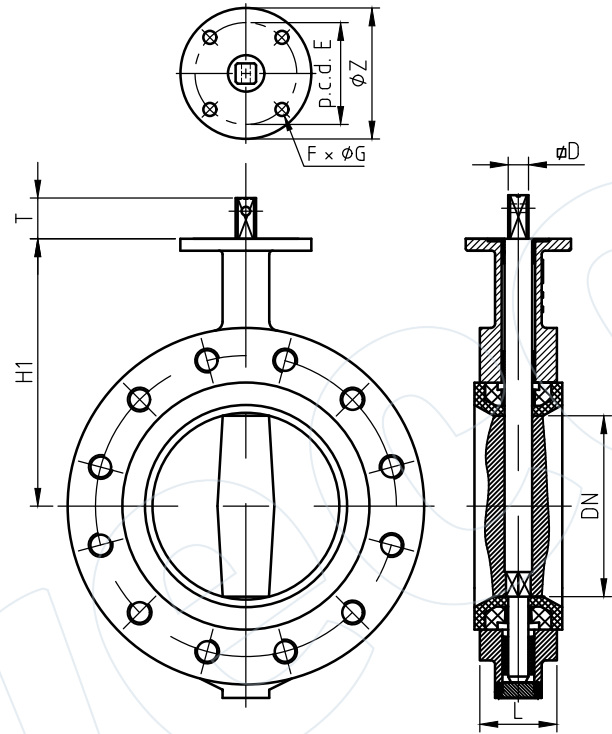
Materials

Body Nodular Cast Iron

Stem Stainless Steel

Disc Aluminium Bronze

Seat NBR



dimensions may vary

Dimensions

DN	Length	Height	Stem Dimensions	Stem Height	Topflange Diameter	Topflange PCD	Holes Dia	Weight
(MM)	(L)	(H1)	(ØD)	(T)	(Z)	(E)	(F)	(kg)
50	43	162	11	25	90	70	4x9	9
65	46	176	11	25	90	70	4x9	9
80	46	185	11	25	90	70	4x9	9
100	52	188	11	25	90	70	4x9	12
125	56	195	14	28	90	70	4x9	20
150	56	225	14	28	90	70	4x9	24
200	60	255	17	28	90	70	4x9	30
250	68	295	22	30	125	102	4x11	54
300	78	345	22	30	125	102	4x11	62
350	78	365	27	29	150	125	4x14	73
400	102	405	27	29	150	125	4x14	130
450	114	425	36	38	175	140	4x18	160
500	127	485	36	38	175	140	4x18	190
600	154	575	46	48	210	165	4x22	258