

BFD-DN-FU

BUTTERFLY VALVE - DOUBLE FLANGED TYPE (F6620)

Valveco®

butterfly valve, double flanged type, long pattern, nodular cast iron fcd body, stainless steel stem, alu bronze disc, vulcanised nbr rubber seat

Technical Features

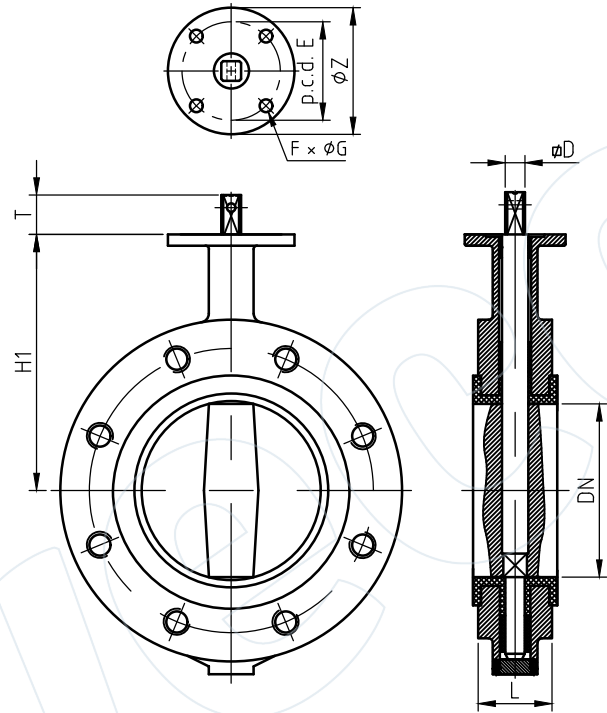
Class	5K, 10K, 16K
Stem Pattern	Square

Options

- Other materials, flange connections and nominal sizes on request
- Lever, wormgear operator, electric, pneumatic or hydraulic actuator
- Available with Lloyds Register of Shipping Class Certificate

Materials

Body	Nodular Cast Iron
Stem	Stainless Steel
Disc	Aluminium Bronze
Seat	NBR



dimensions may vary

Dimensions

DN	Length	Height	Stem Dimensions	Stem Height	Topflange Diameter	Topflange PCD	Holes Dia	Weight
(MM)	(L)	(H1)	(ØD)	(T)	(Z)	(E)	(F)	(kg)
125	100	195	14	28	90	70	4x9	22
150	100	218	14	28	90	70	4x9	28
200	100	243	17	28	90	70	4x9	37
250	110	280	22	30	125	102	4x11	65
300	110	310	22	30	125	102	4x11	78
350	120	368	27	29	150	125	4x14	113
400	130	400	27	29	150	125	4x14	139
450	150	450	36	38	175	140	4x18	178
500	160	485	36	38	175	140	4x18	210
600	170	500	46	48	210	165	4x22	312

All the product information presented on these pages is only indicative and is provided subject to typographical errors, changes and deviations. The buyer cannot derive any rights from this information. The seller excludes any liability for damage resulting from the use of this information.