

BFL-DN-F1

BUTTERFLY VALVE - LUG TYPE (F6420-5K)

Valveco[®]

butterfly valve, lug type, nodular cast iron body, stainless steel stem, alu bronze disc, replaceable nbr rubber liner

Technical Features

Class	5K
Stem Pattern	Square

Options

- Other materials, flange connections and nominal sizes on request
- Lever, wormgear operator, electric, pneumatic or hydraulic actuator
- Available with Lloyds Register of Shipping Class Certificate

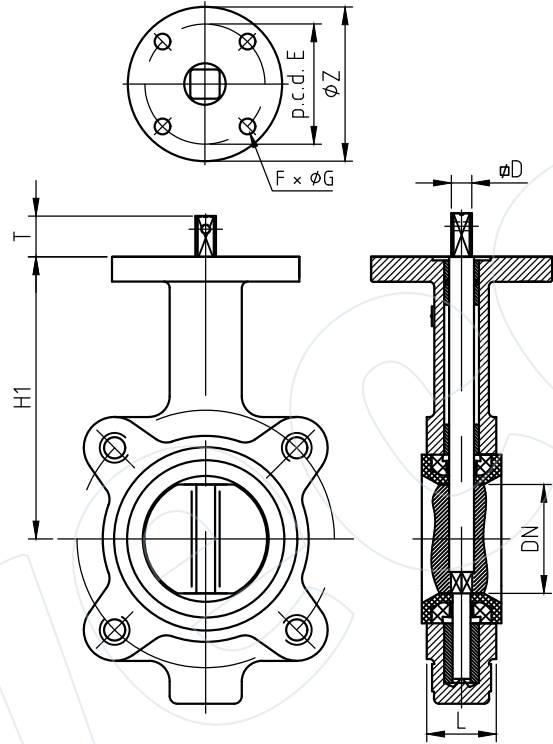
Materials

Body	Nodular Cast Iron
Stem	Stainless Steel
Disc	Aluminium Bronze
Seat	NBR

dimensions may vary

Dimensions

DN	Length	Height	Stem Dimensions	Stem Height	Topflange Diameter	Topflange PCD	Holes Dia	Weight
(MM)	(L)	(H1)	(\varnothing D)	(T)	(Z)	(E)	(F)	(kg)
50	43	124	11	25	90	70	4x9	3
65	46	134	11	25	90	70	4x9	5
80	46	141	11	25	90	70	4x9	5
100	52	156	11	25	90	70	4x9	8
125	54	168	14	28	90	70	4x9	11
150	56	184	14	28	90	70	4x9	12
200	60	213	17	28	90	70	4x9	22
250	68	244	22	30	125	102	4x11	32
300	78	283	22	30	125	102	4x11	50
350	78	267	27	29	150	125	4x14	71
400	102	297	27	29	150	125	4x14	90
450	114	315	36	38	175	140	4x18	97
500	127	348	36	38	175	140	4x18	190
600	154	444	46	48	210	165	4x22	250



All the product information presented on these pages is only indicative and is provided subject to typographical errors, changes and deviations. The buyer cannot derive any rights from this information. The seller excludes any liability for damage resulting from the use of this information.