

CHJ-DB-F2

DUO CHECK VALVE (F2237-10K)

Valveco®

wafer pattern, nodular cast iron body, stainless steel stem, bronze disc, nbr rubber seat, 10k

Technical Features

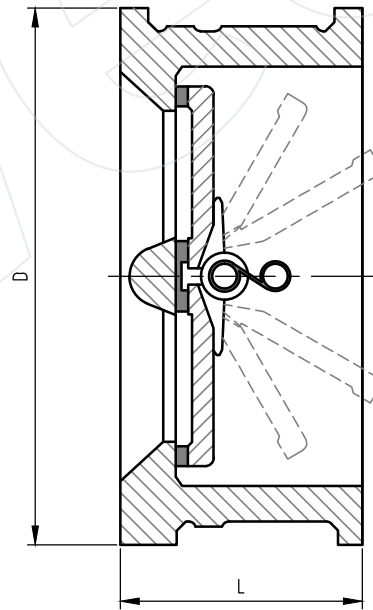
Design	JIS F 2237-10K
Class	10K
Face-to-Face Design	JIS F 2237-10K
Inlet Design	Wafer
Outlet Design	Wafer

Options

- Other materials, flange connections and nominal sizes on request

Dimensions

DN	Length	OD	Weight
(MM)	(MM)	(MM)	(kg)
50	60	100	2
65	67	120	3
80	73	130	4
100	73	155	5
125	86	185	7
150	98	215	11
200	127	265	22
250	146	330	39
300	181	375	52
350	184	420	69
400	190	480	90
450	203	540	112
500	213	595	139



Materials

Body	Nodular Cast Iron (JIS G 5502)
Stem	Stainless Steel (AISI 304)
Disc	Bronze (JIS H 5111)
Seat Ring	NBR

All the product information presented on these pages is only indicative and is provided subject to typographical errors, changes and deviations. The buyer cannot derive any rights from this information. The seller excludes any liability for damage resulting from the use of this information.