

# CHK-CB-F1

## STORM VALVE (F3060-V)

Valveco®

storm valve, vertical pattern, cast steel body, bronze trim, 5k, flanged

### Technical Features

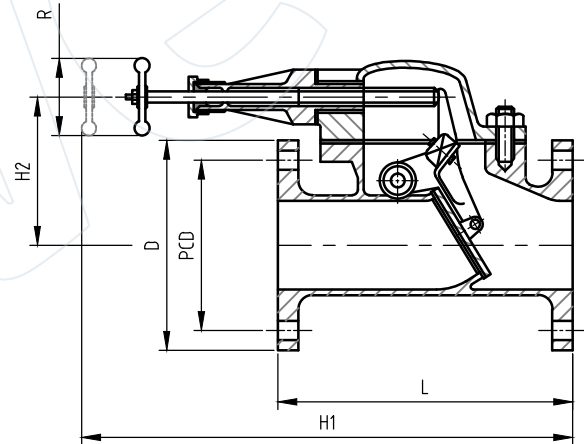
Design	JIS F 3060-V
Class	5K
Face-to-Face Design	JIS F 3060-V
Inlet Design	Flanged (JIS B 2210)
Outlet Design	Flanged (JIS B 2210)
Operator	Handwheel

### Options

- Other materials, flange connections and nominal sizes on request
- Without locking device
- Available with Lloyds Register of Shipping Class Certificate

### Dimensions

DN	Length	PCD	Holes	Holes Dia	Weight
(MM)	(L)	(MM)	(#)	(MM)	(kg)
50	210	105	4	15 (M12)	12
65	240	130	4	15 (M12)	17
80	260	145	4	19 (M16)	22
100	280	165	8	19 (M16)	30
125	330	200	8	19 (M16)	44
150	360	230	8	19 (M16)	53
200	450	280	8	23 (M20)	70



### Materials

Body / Bonnet	Cast Steel (JIS G 5101)
Stem	Stainless Steel
Disc	Bronze (JIS H 5111)
Gasket	Rubber
Operator Material	Cast Iron (JIS G 5501)

All the product information presented on these pages is only indicative and is provided subject to typographical errors, changes and deviations. The buyer cannot derive any rights from this information. The seller excludes any liability for damage resulting from the use of this information.