

CHS-IB-F2

CHECK VALVE (F7373)

Valveco®

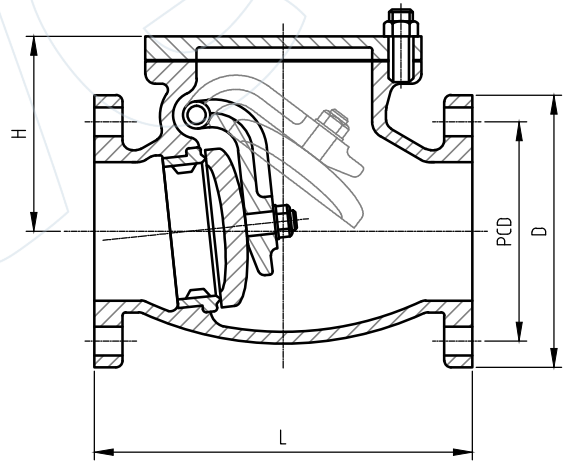
swing type, bolted cover, cast iron body, bronze trim, 10k, flanged

Technical Features

Design	JIS F 7373
Class	10K
Face-to-Face Design	JIS F 7373
Inlet Design	Flanged (JIS B 2210)
Outlet Design	Flanged (JIS B 2210)

Dimensions

DN	Length	PCD	Holes	Holes Dia	Weight
(MM)	(MM)	(MM)	(#)	(MM)	(kg)
50	210	120	4	19 (M16)	14
65	240	140	4	19 (M16)	20
80	270	150	8	19 (M16)	23
100	300	175	8	19 (M16)	31
125	350	210	8	23 (M20)	50
150	400	240	8	23 (M20)	65
200	480	290	12	23 (M20)	103



Materials

Body / Bonnet	Cast Iron (JIS G 5501)
Stem	Brass (JIS H 3250)
Disc	Bronze (JIS H 5111)
Gasket	Graphite

All the product information presented on these pages is only indicative and is provided subject to typographical errors, changes and deviations. The buyer cannot derive any rights from this information. The seller excludes any liability for damage resulting from the use of this information.