

CVP-BB-SM

REDUCING VALVE

Valveco®

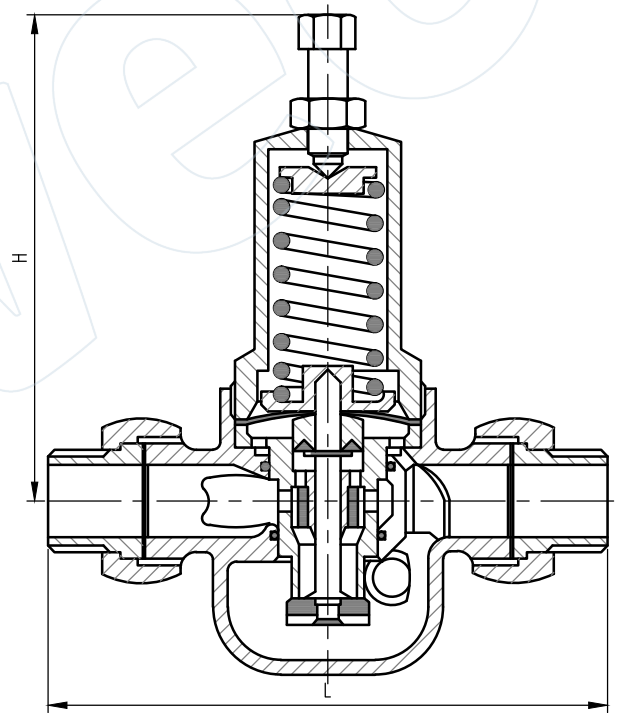
for liquids, compressed air, non flammable gases, vapors and warm water, bronze body, brass cap, nbr diaphragm, female bspp, male thread

Technical Features

Class	PN40
Inlet Design	BSP (ISO 228 / DIN 259)
Outlet Design	BSP (ISO 228 / DIN 259)
Operator	Adjusting Screw

Dimensions

DN	Inlet	Length	Outlet	Weight
(")	(bar)	(MM)	(bar)	(kg)
1/2"	40	142	1-8	1.2
3/4"	40	160	1-8	1.3
1"	40	178	1-8	2.4
1 1/4"	40	190	1-8	2.6
1 1/2"	40	229	1-8	5.5
2"	40	252	1-8	6.0



Materials

Body	Bronze Rg 5
Cap / Cover	Brass
Stem	Brass Ms 58
Spring	Steel
Disc	Brass
Diaphragm	NBR
Gasket	Graphite
Screen / Strainer	Stainless Steel
Operator Material	Bronze Rg 5

All the product information presented on these pages is only indicative and is provided subject to typographical errors, changes and deviations. The buyer cannot derive any rights from this information. The seller excludes any liability for damage resulting from the use of this information.