

GAN-CS-F1

GATE VALVE (F7363-CS)

Valveco®

non rising stem, position indicator, cast steel, stainless steel trim, 5k, flanged

Technical Features

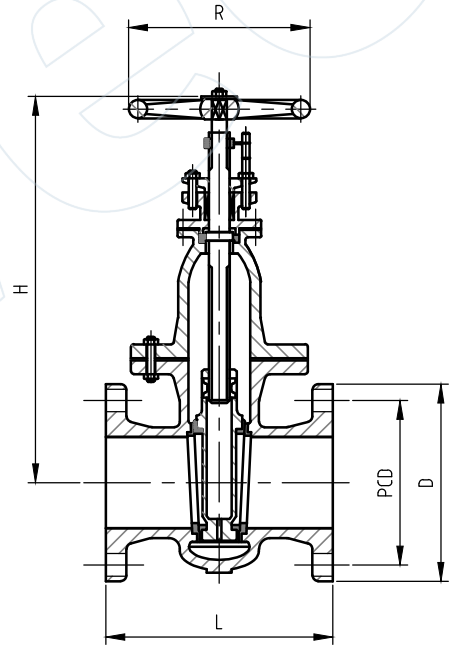
Design	JIS F 7363-CS
Class	5K
Face-to-Face Design	JIS F 7363-CS
Inlet Design	Flanged (JIS B 2210)
Outlet Design	Flanged (JIS B 2210)
Operator	Handwheel

Options

- Available with Lloyds Register of Shipping Class Certificate

Dimensions

DN	Length	PCD	Holes	Holes Dia	Weight
(MM)	(MM)	(MM)	(#)	(MM)	(kg)
50	180	105	4	15 (M12)	15
65	190	130	4	15 (M12)	19
80	200	145	4	19 (M16)	27
100	230	165	8	19 (M16)	37
125	250	200	8	19 (M16)	53
150	270	230	8	19 (M16)	79
200	290	280	8	23 (M20)	108
250	330	345	12	23 (M20)	181
300	370	390	12	23 (M20)	250



Materials

Body / Bonnet	Cast Steel (JIS G 5101)
Stem	Stainless Steel (AISI 316)
Disc	Cast Steel (JIS G 5101)
Disc Ring	Stainless Steel (AISI 316)
Gasket	Graphite
Operator Material	Cast Iron (JIS G 5501)

All the product information presented on these pages is only indicative and is provided subject to typographical errors, changes and deviations. The buyer cannot derive any rights from this information. The seller excludes any liability for damage resulting from the use of this information.