

GAN-IB-F3

GATE VALVE (F7369)

Valveco®

non rising stem, position indicator, cast iron body, bronze trim, 16k, flanged

Technical Features

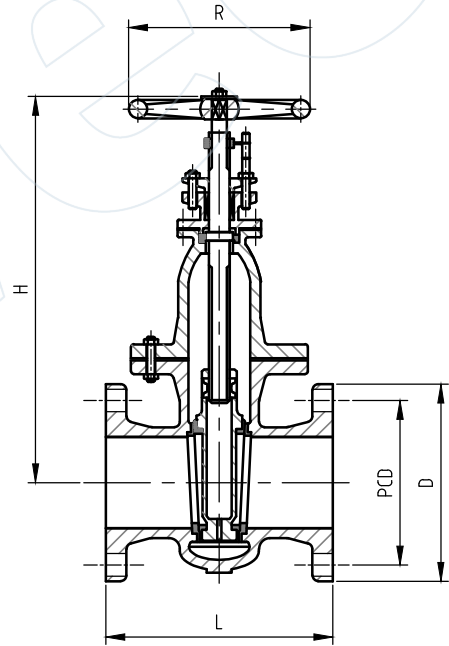
Design	JIS F 7369
Class	16K
Face-to-Face Design	JIS F 7369
Inlet Design	Flanged (JIS B 2210)
Outlet Design	Flanged (JIS B 2210)
Operator	Handwheel

Options

- Other materials, face tot face dimensions and nominal sizes

Dimensions

DN	Length	PCD	Holes	Holes Dia	Weight
(MM)	(MM)	(MM)	(#)	(MM)	(kg)
50	200	120	8	19 (M16)	23
65	220	140	8	19 (M16)	33
80	230	160	8	23 (M20)	40
80	260	160	8	23 (M20)	37
100	250	185	8	23 (M20)	51
125	270	225	8	25 (M22)	70
150	290	260	12	25 (M22)	90
150	330	260	12	25 (M22)	95
200	310	305	12	25 (M22)	150
200	330	305	12	25 (M22)	155
250	350	380	12	27 (M24)	231



Materials

Body / Bonnet	Cast Iron (JIS G 5501)
Stem	Brass (JIS H 3250)
Disc	Cast Iron (JIS G 5501)
Disc Ring	Bronze (JIS H 5111)
Gasket	Graphite
Operator Material	Cast Iron (JIS G 5501)

All the product information presented on these pages is only indicative and is provided subject to typographical errors, changes and deviations. The buyer cannot derive any rights from this information. The seller excludes any liability for damage resulting from the use of this information.