

# GAN-IS-F2

GATE VALVE (F7364-SS)

Valveco®

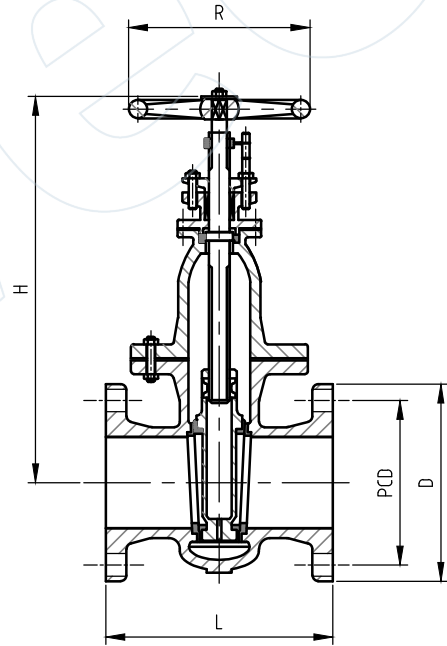
non rising stem, position indicator, cast iron, stainless steel trim, 10k, flanged

## Technical Features

Design	JIS F 7364
Class	10K
Face-to-Face Design	JIS F 7364
Inlet Design	Flanged (JIS B 2210)
Outlet Design	Flanged (JIS B 2210)
Operator	Handwheel

## Dimensions

DN (MM)	Length (MM)	PCD (MM)	Holes (#)	Holes Dia (MM)	Weight (kg)
50	200	120	4	19 (M16)	20
65	220	140	4	19 (M16)	28
80	230	150	8	19 (M16)	34
100	250	175	8	19 (M16)	46
125	270	210	8	23 (M20)	66
150	290	240	8	23 (M20)	87
200	320	290	12	23 (M20)	137
250	380	355	12	25 (M22)	230
300	440	400	16	25 (M22)	331
350	500	445	16	25 (M22)	433
400	590	510	16	27 (M24)	597



## Materials

Body / Bonnet	Cast Iron (JIS G 5501)
Stem	Stainless Steel
Disc	Cast Iron (JIS G 5501)
Disc Ring	Stainless Steel
Gasket	Graphite
Operator Material	Cast Iron (JIS G 5501)

All the product information presented on these pages is only indicative and is provided subject to typographical errors, changes and deviations. The buyer cannot derive any rights from this information. The seller excludes any liability for damage resulting from the use of this information.